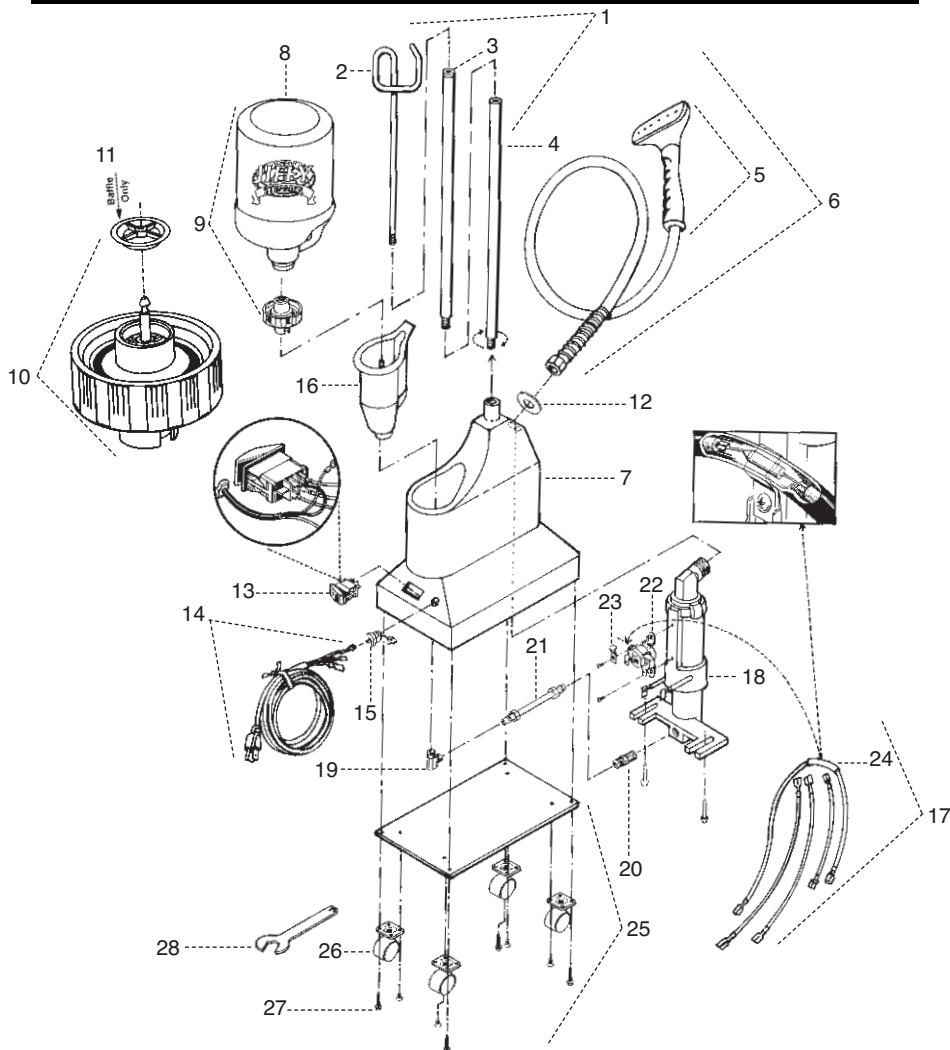


# J-1 and J-2 Parts Diagram



Should you ever need replacement parts for your Jiffy® Steamer, you may purchase them separately. Use this diagram and parts list to identify any part you may need. Please include model and serial number when ordering.

## Jiffy Steamer

Key#	Part #	Part Description
1	1029	Rod Set Complete with Threaded Bottom Section
	1030	Rod Set and Nut Complete with Metal Studs (pre August 2021 models)
	0031	Hose Hanger Rod Set with Adapter Complete
	0031A	Hose Hanger Rod Set without Adapter Complete
	0041	Base Adapter with Thumb Screw (for Old Style Rods Sets)
2	0035	Hook Section of Rod Set
3	0036	Middle Section of Rod Set

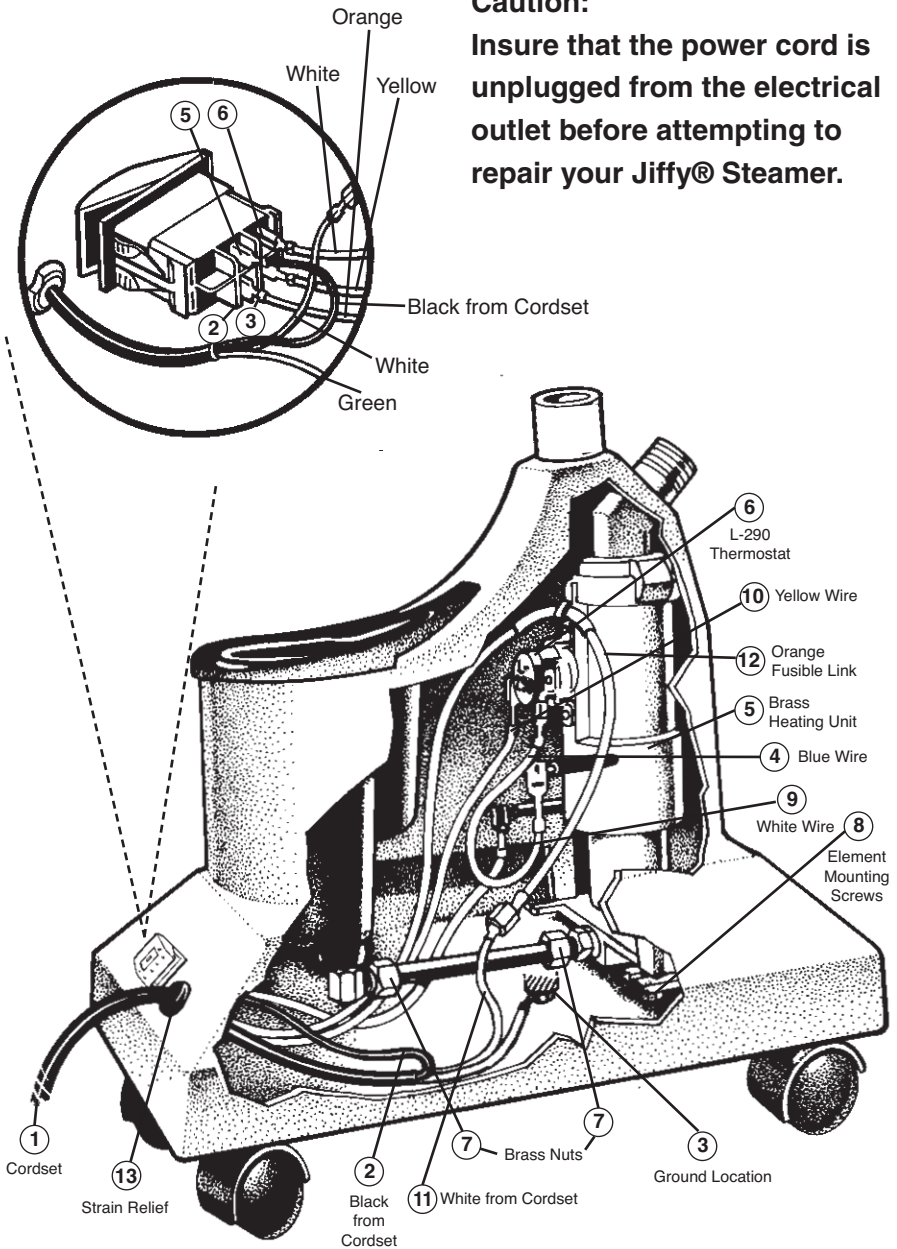
# J-1 and J-2 Parts Diagram Key

Jiffy Steamer		
Key#	Part #	Part Description
4	1033	Bottom Section of Rod Set (with Nut Attached) (pre August 2021 models)
	0037	Bottom Section of Rod Set (without Nut)
	1028	Bottom Section of Rod Set with Threads
	0043	Metal Threaded Cap Screw for Rod Set
	0039	Metal Threaded Stud for Rod Sections
5	0253	Plastic Steam Head/Handle Replacement Kit
6	0251	Plastic Head/Handle Hose Attachment Complete
	0280	Hose Per Foot (Black in Color)
7	0003B	Painted Die Cast Aluminum Housing Kit 120 Volt
	0003C	Painted Die Cast Aluminum Housing Kit 230 Volt
	0023	Plastic Water Bottle "A" with Cap
	0027	Replacement Cap for Water Bottle "A"
8	0026A	Plastic Water Bottle "B" without Check Valve Cap
9	0025	Plastic Water Bottle "B" with Check Valve Cap
10	0027A	Replacement Check Valve Cap for Water Bottle "B"
11	0027B	Replacement Check Valve Cap Baffle Only
12	0004	Round Beauty Ring
	0122	Toggle Switch (3 Pieces)
	0127	Red Neon Pilot Light with Lock Ring 120 Volt
	0128	Red Neon Pilot Light with Lock Ring 230 Volt
13	1125	Green Lighted Contura Rocker Switch 120 Volt
	1126	Green Lighted Contura Rocker Switch 230 Volt
14	0132	Cord Set (16/3 gauge) with Strain Relief
15	0132B	Cord Strain Relief
16	0028	Water Cup with 90 Degree Brass Fitting
	0147	Internal Wire Set for Models with Front Red Light
17	0148	Internal Wire Set for Models with Green Contura Rocker Switch
	0596	Heating Unit Kit (wiring included) for Models with Front Red Light - 120 Volt Cord Set and 4" Water Line
	0177A	Heating Unit Kit (wiring included) for Models with Front Red Light - 230 Volt Cord Set and 4" Water Line
	0597	Heating Unit Kit (wiring included) for Models with Green Lighted Rocker Switch - 120 Volt Cord Set and 4" Water Line
	0597A	Heating Unit Kit (wiring included) for Models with Green Lighted Rocker Switch - 230 Volt Cord Set and 4" Water Line
18	0161A	Heating Unit Assembly (no wiring included) - 120 Volt and 4" Water Line
	0162A	Heating Unit Assembly (no wiring included) - 230 Volt and 4" Water Line
19	0030	Brass 90 Degree Elbow Joint
20	1130	3/8" x 1/4" Straight Brass Fitting for Heating Element Housing. *Beginning in November 2012, this fitting is now cast into the heating element.
21	0591	Copper Tube (4" length) with Nuts and Compression Rings
	1191	Copper Tube (4 1/2" length) with Nuts and Compression Rings
	0187	Copper Tube (5" length) with Nuts and Compression Rings
22	0160	L-290 Thermostat
23	0195	Fusible Link Clamp
24	0151	Fusible Link Wire with Insulated Lug and Clamp
25	0009	Bottom Plate with Casters
26	0011	Bottom Plate Casters (Set of 4)
27	0010	Screws for Bottom Plate (4 Screws Total)
<b>ACCESSORIES</b>		
28	1026	"I" Kit - 5.5' Hose with Four Attachments
	1048	Jiffy Steamer Assembly Wrench
	0274	Brass Hat Nozzle Attachment
	0254	Metal Head/Wood Handle Hose Attachment Complete
	0256	Metal Head / Wood Handle Only
	0269	Replacement Wooden Handle (for Metal Steam Heads)
	0262	Wig Hose Attachment
	1062	Steam Cleaning "B" Brush Hose Attachment
	1063	Brush Only for the "B" Hose Attachment
	0899	Liquid Cleaner - 3 Ten (10) Ounce Bottles per Package*
		*Not Available for Export.

# J-1 and J-2 Wiring Diagram

## Caution:

Insure that the power cord is unplugged from the electrical outlet before attempting to repair your Jiffy® Steamer.



# J-1 and J-2 Wiring Instructions

Before attempting any repair on a Jiffy Steamer product, make sure that it is unplugged from the outlet. If you have any questions, please contact our repair department at 1-800-525-4339 between 7:30 AM - 4:00 PM Central Time.

Please note switch terminal 2, 3, 5 and 6 indicated on the enlarged switch diagram are marked on the actual switch. Jiffy® Steamers manufactured before May 2000 are not marked with the terminal switch numbers. Numbers in parenthesis refer to the drawing on page 15.

1. Insert cord set (1) into housing and connect black positive wire (2) from cord set to terminal number 5 on the switch.
2. Secure with grounding screw ground wire from cord set to the ground location on the housing (3).
3. Connect blue wire (4) from the right side of brass heating element (5) to right side of the L-290 thermostat (6).
4. Insert brass heating element unit into housing. Hand tighten the brass nuts (7) on the water line to the element and to the 90 degree fitting from the cup. Tighten 2 mounting screws (8) at the base of heating element. Now, use a 5/8" wrench to securely tighten the brass nuts on the water line to the element and to the 90 degree fitting from the water cup. Heating unit may be loosened and adjusted for a better fit if necessary.
5. Connect white wire (9) from the left side of the heater unit to terminal number 6 on switch.
6. Connect yellow wire (10) from the left side of the thermostat to terminal number 3 on the switch.
7. Connect white neutral wire (11) from cord set bundle to orange fusible link with plastic connector (12).
8. Connect other end of orange fusible link to terminal number 2 on the switch.
9. Set steamer upright and place black plastic strain relief (13) approximately 4 1/2" from end of cord set and insert into housing using pliers.
10. Secure bottom plate with four screws.
11. To avoid leakage, be sure to tighten hose (or hat nozzle) with wrench before using steamer.