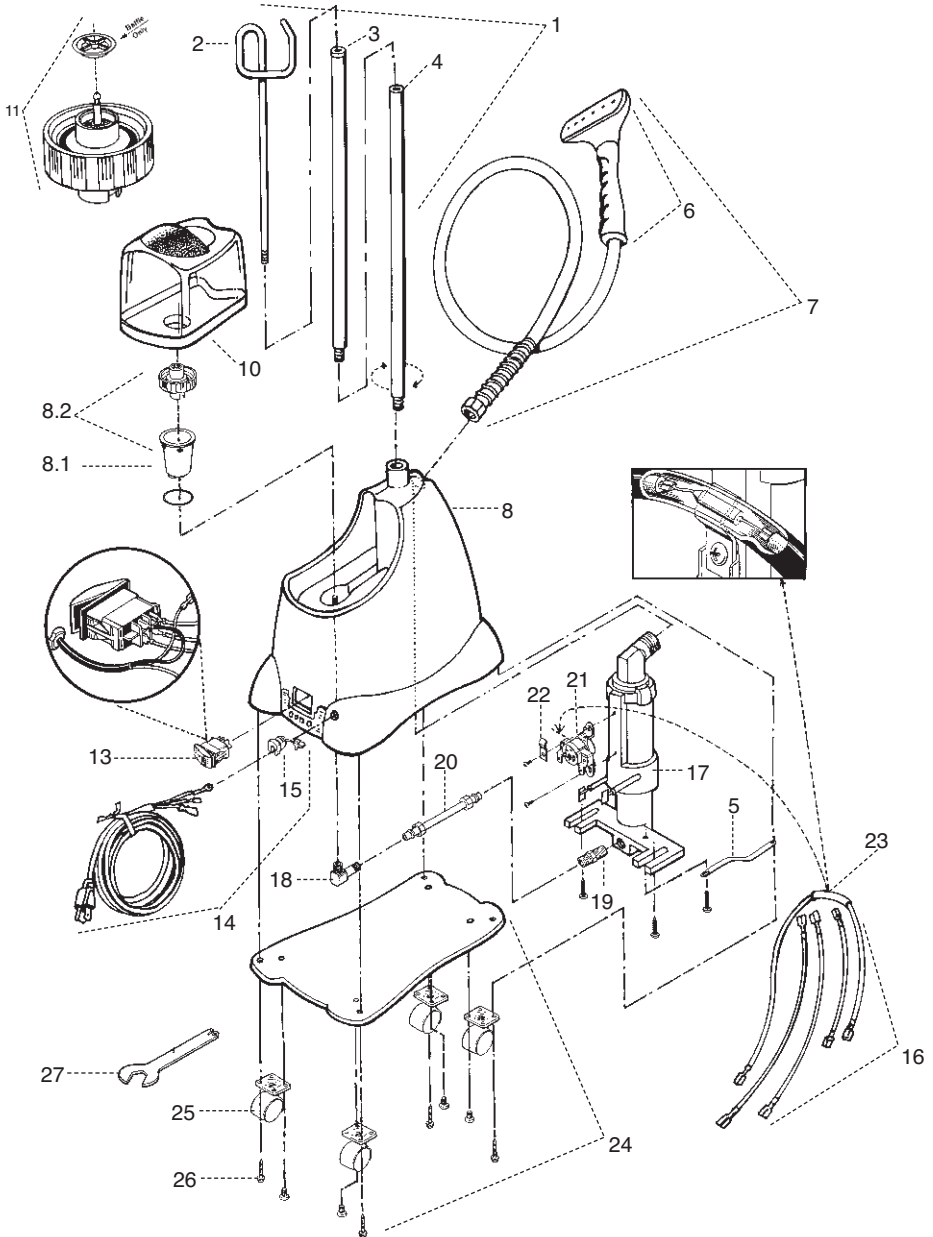


J-2000 Parts Diagram



Should you ever need replacement parts for your Jiffy® Steamer, you may purchase them separately. Use this diagram and parts list to identify any part you may need. Please include model and serial number when ordering.

J-2000 Parts Diagram Key

Key#	Jiffy Steamer Part #	Part Description
1	1029	Rod Set Complete with Threaded Bottom Section
	1030	Rod Set and Nut Complete with Metal Studs (pre August 2021 models)
2	0035	Hook Section of Rod Set
3	0036	Middle Section of Rod Set
4	1033	Bottom Section of Rod Set (with Nut Attached) (pre August 2021 models)
	1028	Bottom Section of Rod Set with Threads
	0043	Metal Threaded Cap Screw for Rod Set
	0039	Metal Threaded Stud for Rod Sections
5	1102	Grounding Strap for Heating Element
6	0253	Plastic Steam Head/Handle Replacement Kit
7	0251	Plastic Head/Handle Hose Attachment Complete
	0280	Hose Per Foot (Black in Color)
8	1107B	J-2000 Beige Housing Kit with Water Cup - 120 Volt
	1107C	J-2000 Beige Housing Kit with Water Cup - 230 Volt
	1107PB	J-2000 Pink Housing Kit with Water Cup - 120 Volt
	1107PC	J-2000 Pink Housing Kit with Water Cup - 230 Volt
8.1	1110	O-Ring for J-2000 Water Cup
8.2	1111	J-2000 Water Cup with 90 degree Bass Fitting and o-ring
9	1140	J-2000 Water Caddy Complete with Check Valve Cap
10	1141	J-2000 Water Caddy Complete without Check Valve Cap
11	0027A	Replacement Check Valve Cap
	0564	Ryton Insulator Set (2 feet and 1 ring)
12	0027B	Replacement Check Valve Cap Baffle Only
13	1125	Green Lighted Contura Rocker Switch - 120 Volt
	1126	Green Lighted Contura Rocker Switch - 230 Volt
14	0132	Cord Set (16/3 gauge) with Strain Relief
15	0146B	Cord Strain Relief
16	0148	Internal Wire Set
	0597	Heating Unit Kit (wiring included) for Models with Green Lighted Contura Rocker Switch - 120 Volt Cord Set and 4" Water Line
	0597A	Heating Unit Kit (wiring included) for Models with Green Lighted Contura Rocker Switch - 230 Volt Cord Set and 4" Water Line
17	0161A	Heating Unit Assembly (no wiring included) for Models with Green Lighted Rocker Switch - 120 Volt Cord Set and 4" Water Line
	0162A	Heating Unit Assembly (no wiring included) for Models with Green Lighted Contura Rocker Switch - 230 Volt Cord Set and 4" Water Line
18	1131	Brass 90 Degree Elbow Joint - Extended Version
19	1130	3/8" x 1/4" Straight Brass Fitting for Heating Element Housing. *Beginning in November 2012, this fitting is now cast into the heating element.
20	0591	Copper Tube(4" length) with Nuts and Compression Rings
21	0160	L-290 Thermostat
22	0195	Fusible Link Clamp
23	0151	Fusible Link Wire with Insulated Lug and Clamp
24	1120	Bottom Plate with Casters
25	0011	Bottom Plate Casters (Set of 4)
26	1114	Screws for Bottom Plate (4 Screws Total)

ACCESSORIES

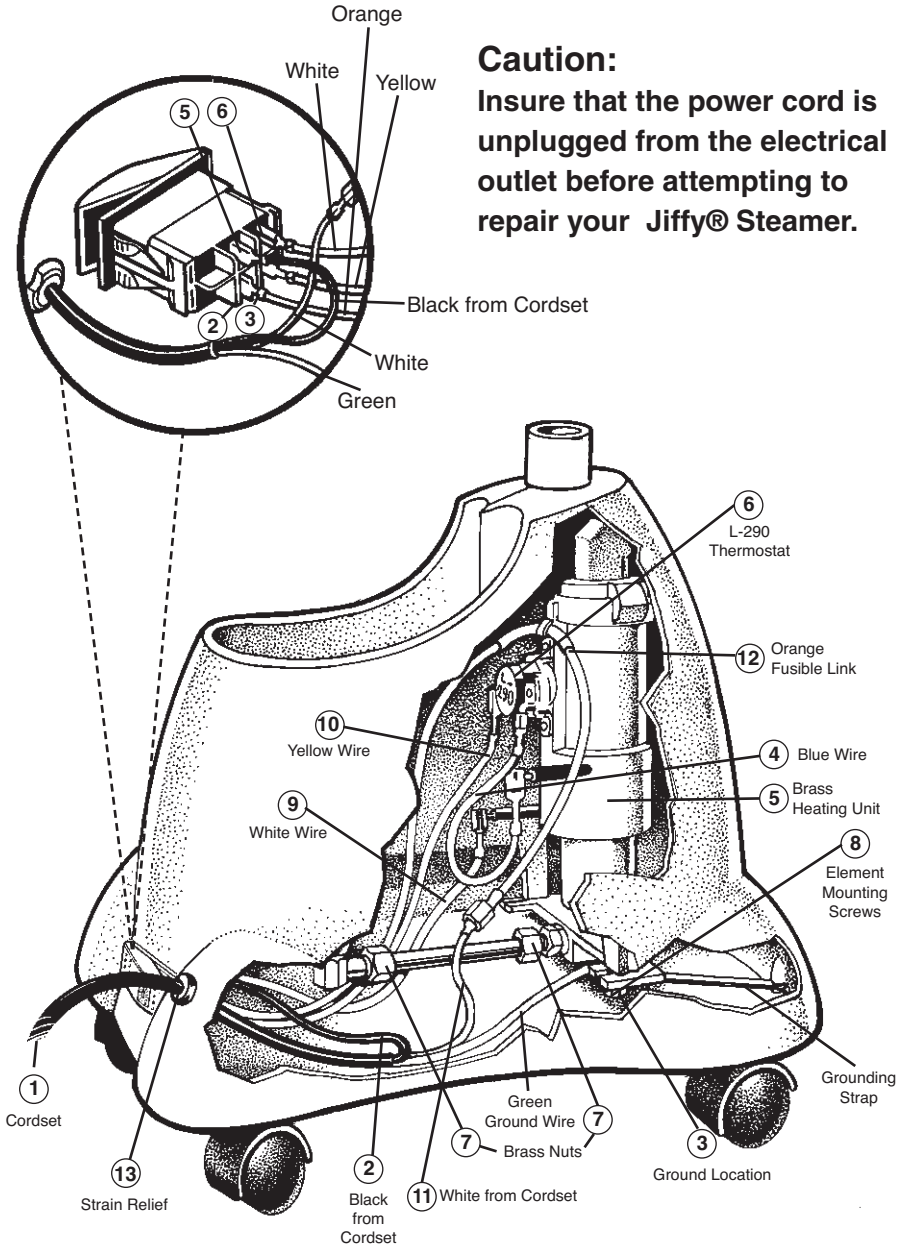
	1026	"I" Kit - 5.5' Hose with Four Attachments
27	1048	Jiffy Steamer Assembly Wrench
	0254	Metal Head/Wood Handle Hose Attachment Complete
	0256	Metal Head / Wood Handle Only
	0269	Replacement Wooden Handle (for Metal Steam Heads)
	0262	Wig Hose Attachment
	1062	Steam Cleaning "B" Brush Hose Attachment
	1063	Brush Only for the "B" Hose Attachment
	0899	Liquid Cleaner - 3 Ten (10) Ounce Bottles per Package*
		*Not Available for Export.

If you don't see the part you need, please contact us. Check pricing at jiffysteamer.com

J-2000 Wiring Diagram

Caution:

Insure that the power cord is unplugged from the electrical outlet before attempting to repair your Jiffy® Steamer.



J-2000 Wiring Instructions

Before attempting any repair on a Jiffy Steamer product, make sure that it is unplugged from the outlet. If you have any questions, please contact our repair department at 1-800-525-4339 between 7:30 AM - 4:00 PM Central Time.

Please note switch terminal 2, 3, 5 and 6 indicated on the enlarged switch diagram are marked on the actual switch. Jiffy® Steamers manufactured before May 2000 are not marked with the terminal switch numbers. Numbers in parenthesis refer to the drawing on page 21.

1. Insert cord set (1) into housing and connect black positive wire (2) from cord set to terminal number 5 on the switch.
2. Connect blue wire (4) from the right side of brass heating element (5) to right side of the L-290 thermostat (6).
3. Insert brass heating element unit into housing. Hand tighten the brass nuts (7) on the water line to the element and to the 90 degree fitting from the cup. Tighten 2 mounting screws (8) at the base of heating element. Now, use a 5/8" wrench to securely tighten the brass nuts on the water line to the element and to the 90 degree fitting from the cup. Heating unit may be loosened and adjusted for a better fit if necessary.
4. Place the copper 4 inch grounding strap as shown in drawing. Secure grounding strap and the green ground wire with the grounding screw by attaching to the heating element ground location (3).
5. Connect white wire (9) from the left side of the heater unit to terminal number 6 on switch.
6. Connect yellow wire (10) from the left side of the thermostat to terminal number 3 on the switch.
7. Connect white neutral wire (11) from cord set bundle to orange fusible link with plastic connector (12).
8. Connect other end of orange fusible link to terminal number 2 on the switch.
9. Set steamer upright and place black plastic strain relief (13) approximately 4 1/2" from end of cord set and insert into housing using pliers.
10. Secure bottom plate with four screws.
11. To avoid leakage, be sure to tighten hose (or hat nozzle) with wrench before using steamer.