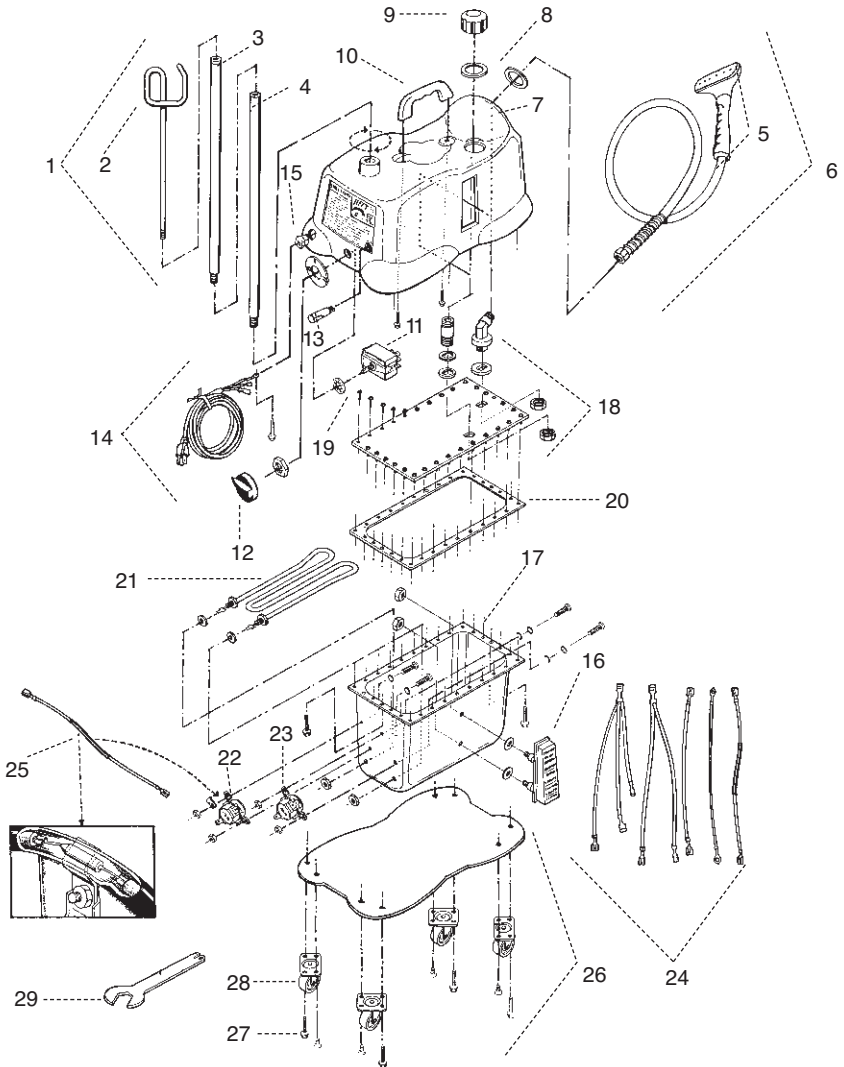


# J-4000 Parts Diagram

\* For models manufactured after March 2005.



Should you ever need replacement parts for your Jiffy® Steamer, you may purchase them separately. Use this diagram and parts list to identify any part you may need. Please include model and serial number when ordering.

## Jiffy Steamer

Key#	Part #	Part Description
1	1029	Rod Set Complete with Threaded Bottom Section
	1030	Rod Set and Nut Complete with Metal Studs (pre August 2021 models)
	1034	Rod Set and Nut Complete for Drapery Steamers
	1029A	Rod Set Complete with Threaded Bottom Section of Drapery Steamers
2	0035	Hook Section of Rod Set
3	0036	Middle Section of Rod Set (with Barrel Stud and Cap Screw)

# J-4000 Parts Diagram Key

## Jiffy Steamer

Key#	Part #	Part Description
4	1033	Bottom Section of Rod Set (with Nut Attached) (pre August 2021 models)
	0037	Bottom Section of Rod Set (without nut)
	0038	Additional Middle Section of Rod Set for Drapery Steamers
	1028	Bottom Section of Rod Set with Threads
	0043	Metal Threaded Cap Screw for Rod Set
5	0039	Metal Threaded Stud for Rod Sections
	0253	Plastic Steam Head/Handle Replacement Kit
6	0251	Plastic Head/Handle Hose Attachment Complete
	0280	Hose Per Foot (Black in Color)
7	1302	J-4000 Die Cast Aluminum Housing Kit (120 Volt)
	1303	J-4000 Die Cast Aluminum Housing Kit (230 Volt)
	0006	Hex Beauty Ring
8	0004	Round Beauty Ring
9	0049P	Pressure Release Water Fill Cap
	0053	Funnel
10	0054	Housing Handle with Two Screws
11	0199	Rotary Power Switch and Knob
12	0201	Replacement Knob Only for Rotary Power Switch
13	1310	Red Neon Pilot Light (120 VOLT)
	1311	Red Neon Pilot Light (230 VOLT)
14	0133	Cord Set (14/3 gauge) with Strain Relief
15	0146C	Cord Strain Relief
16	0050	Water Level Sight Gauge with Nuts and Washers
	1353	Stainless Steel Boiler Tank Kit Complete (120 Volt/1500 Watts)
	1354	Stainless Steel Boiler Tank Kit Complete (230 Volt/1500 Watts)
	0074A	Stainless Steel Boiler Tank with Sight Gauge (J-4)
	0074C	Stainless Steel Boiler Tank Only
18	1370	Stainless Steel Boiler Tank Lid with 2 Brass Fittings and 2 Beauty Rings
19	0071	Boiler Tank Screw Set (Set of 30)
	0061	Boiler Tank Silicone Sealer (2.8 Fluid Ounces)
	0062	Boiler Tank Silicone Sealer (10.1 Fluid Ounces)
20	0075	Boiler Tank Gasket
21	0063	"W" Bend Heating Element (120 Volt, 1500 Watt) with Hardware
	0064	"W" Bend Heating Element (230 Volt, 1500 Watt) with Hardware
22	0203	Standby Thermostat (L-170)
23	0204	Steam Thermostat (L-220)
24	0155	Internal Wire Set (Set of 5 Wires) for "W" Bend Element
25	0158	Fusible Link Wire with Insulated Sleeve and Clamp
26	1320	Bottom Plate with Four Casters
27	0017	Bottom Plate Screws (Set of 4)
28	0018	Bottom Plate Casters (Set of 4)

## ACCESSORIES

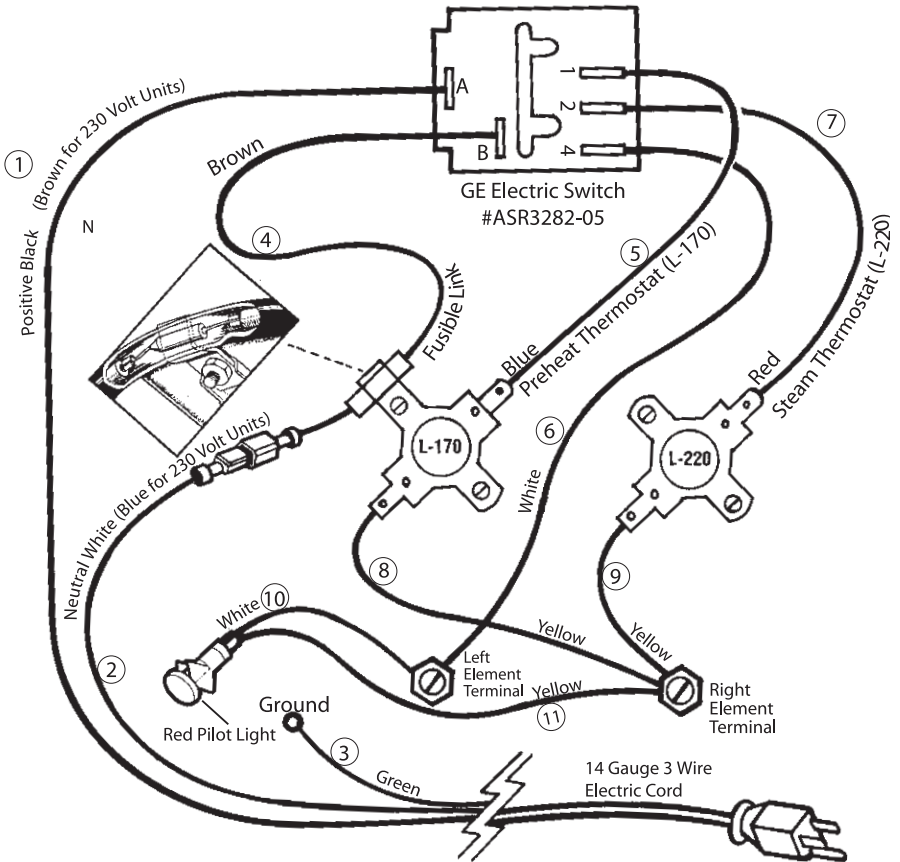
	1026	"I" Kit - 5.5' Hose with Four Interchangeable Steam Head Attachments
	1027	"I" Kit - 7.5' Hose with Four Interchangeable Steam Head Attachments
29	1048	Jiffy Steamer Assembly Wrench
	0259	Auto Hose Attachment with Dual Metal Heads
	0257	Carpet Hose Attachment with 12" wide Metal Head
	0252	7.5' Drapery Hose Attachment with Plastic Steam Head
	0255	7.5' Drapery Hose Attachment with Metal Steam Head
	0254	Metal Head / Wood Handle Hose Attachment Complete
	0256	Metal Head / Wood Handle Only
	0269	Replacement Wooden Handle (for Metal Steam Heads)
	0262	Wig Hose Attachment
	0274	Brass Hat Nozzle Attachment
	1062	Steam Cleaning "B" Brush Hose Attachment
	1063	Brush Only for the "B" Hose Attachment
	0899	Liquid Cleaner - 3 Ten (10) Ounce Bottles per Package*

\*Not Available for Export.

# J-4000 Wiring Diagram

## Caution:

Insure that the power cord is unplugged from the electrical outlet before attempting to repair your Jiffy® Steamer.



# J-4000 Wiring Instructions

**Please note, the switch terminal numbers and the switch terminal letters are marked on the actual switch.**

1. Positive black (1) (brown for 230 volt units) to A on switch.
2. Neutral white to (2) brown fuse wire (4) (blue for 230 volt units).
3. Green ground wire (3) to grounding mount on housing.
4. Brown fuse (4) wire to B on switch.
5. Blue wire (5) from top of standby thermostat (L170) to #1 on switch.
6. White wire (6) from left side of element to #4 on switch.
7. Red wire (7) from top of steam thermostat (L-220) to #2 on switch.
8. Long yellow wire (8) from bottom of standby thermostat to right side of element.
9. Short yellow wire (9) from right side of element to bottom of steam (L-220) thermostat.
10. White wire (10) from light to left side of element.
11. Medium length yellow wire (11) from light to right side of element.

## Questions?

Call 1-800-525-4339 and ask for a technician.

Please have your  
model and serial numbers available.

Or you may e-mail us at  
[info@jiffysteamer.com](mailto:info@jiffysteamer.com)