



Made in the USA Since 1940

## **OWNER'S MANUAL**

**PRINTED IN THE USA**  
**FORM #5500B.26**

Date of Purchase: \_\_\_\_\_

Model Number: \_\_\_\_\_

Serial Number: \_\_\_\_\_

Purchased From: \_\_\_\_\_

Register your Jiffy® Steamer:

[jiffysteamer.com/support/register-your-jiffy-steamer](http://jiffysteamer.com/support/register-your-jiffy-steamer)

## **PATENTS**

Jiffy® Steamer products and their components mentioned within this manual are covered by some or all of the following U.S. patents: D421,165 / D423,156 / D426,924. The design and configuration of the Model J-2 is a registered U.S. Trademark. Other patents are pending.

# Congratulations and Thank You!

Thank you for purchasing your Jiffy® Steamer from the world's leading manufacturer of steaming equipment since 1940. We strive to engineer and manufacture the very best



steamer available backed by superior customer service. With proper maintenance and cleaning, your Jiffy® Steamer will last through years of demanding use. Thank you again and we sincerely appreciate your business.


**Kind regards,**  
**Jiffy® Steamer Company, LLC**  
**Made in the USA Since 1940** 

## Table of Contents

<b>Safety Instructions.....</b>	<b>3</b>
<b>How to Steam.....</b>	<b>4</b>
<b>ESTEAM® Travel Steamer.....</b>	<b>5-7</b>
<b>ESTEAM® Cleaning Instructions.....</b>	<b>8</b>
<b>Model J-1 &amp; J-2.....</b>	<b>9-14</b>
<b>Model J-2000.....</b>	<b>15-20</b>
<b>Model J-1, J-2 &amp; J-2000 Cleaning Instructions.....</b>	<b>21</b>
<b>Model J-4000 Pro-Line.....</b>	<b>22-27</b>
<b>Model J-4000 Cleaning Instructions.....</b>	<b>28</b>
<b>Maintenance.....</b>	<b>29</b>
<b>Steam Head Configurations.....</b>	<b>30-31</b>
<b>Cord Plug Configurations.....</b>	<b>31</b>
<b>Accessories.....</b>	<b>32-33</b>
<b>Troubleshooting.....</b>	<b>34-35</b>
<b>Product Specifications.....</b>	<b>36</b>
<b>Warranty &amp; Return Policies.....</b>	<b>37</b>
<b>Contact Information.....</b>	<b>38</b>

# Important Jiffy® Steamer Safety Instructions

When using your Jiffy® Steamer, basic precautions should always be followed, including the following:

1. **WARNING!** Read all instructions prior to usage.
2. To reduce the risk of contact with hot water emitting from steam vents, check appliance before each use by holding it away from body and operating.
3. Use appliance only for its intended use. Steam only in an up and down vertical motion. Never use steamer in a horizontal position or tilt into a backward position, this may result in water discharge.
4. To avoid the risk of electric shock, do not immerse the appliance in water or other liquids.
5. Never tug cord to disconnect from outlet; instead grasp plug and pull to disconnect.
6. Do not allow cord to touch hot surfaces. Let appliance cool completely before storing or before adding water.
7. Always disconnect appliance from electrical outlet when filling with water, emptying, and when not in use.
8. Do not operate appliance with a damaged cord, or if the appliance has been dropped or damaged. To reduce the risk of electric shock, do not disassemble or attempt to repair the appliance, take it to a qualified service person or return to the Jiffy® Steamer factory for examination and repair. Incorrect reassembly or repair could cause a risk of fire, electric shock or injury to persons when the appliance is used.
9. Close supervision is necessary for any appliance being used near children. Do not leave appliance unattended while connected to power source.
10. Burns could occur from touching hot parts, hot water or steam. Use care when you empty a steam appliance as there may be hot water in the reservoir.
11. Indoor use only.
12. Never attempt to steam clothing while on body.
13. Never use an extension cord.
14. This marking on the product denotes that the unit is grounded. 

**SAVE THESE INSTRUCTIONS**



**RISK OF  
ELECTRIC  
SHOCK**



**RISK OF  
BURNS**

# How to Steam

As your drycleaner knows, steam is the gentlest, safest, most efficient method to remove wrinkles. Not only is steaming five times faster than ironing, it is guaranteed not to scorch even the most delicate materials and fabrics. Our steamers will remove wrinkles from clothing, drapery, tablecloths...virtually any fabric. Use the following information to help guide you to more proficient steaming.

Some articles can be steamed better from the underside. This allows the steam to relax the fibers of the material, thus removing the wrinkles.



When steaming, touch material lightly with steam head and wrinkles will vanish instantly. The combination of the warm, moist steam and the steam head is important for a smooth finish.



Always steam with the hose in an upright position so any condensation is free to flow back into the steamer. If steaming in a low position near floor, frequently extend hose up and out to keep hose clear of condensation.



You may use your Jiffy Steamboard to serve as a vertical pressing board to steam your garments.

Jiffy® Steamers are great for removing “closet crunch,” and they eliminate most trips to the drycleaner.



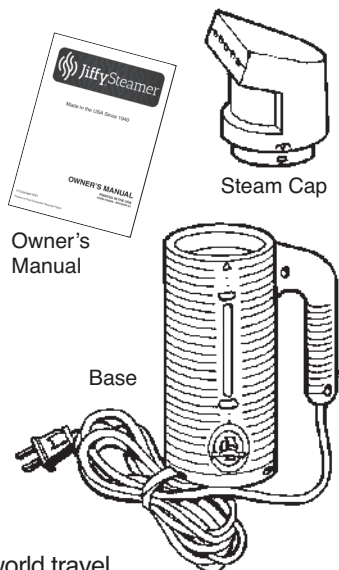
Convenient hanger/hook mechanism holds both clothes and steam head securely.

# ESTEAM® Features and Instructions

## Features

- 3 times more powerful than any other hand-held steamer on the market
- Largest water reservoir available
- Wide mouth, easy-to-fill water tank
- 600-watt heating element; automatic safety shut-off temporarily cuts unit off when it runs dry
- Uses plain tap or distilled water (no additives required)
- Comfortable, easy-to-grip handle
- Special outer housing for cool-to-the-touch operation
- No internal water lines or pumps to become clogged by hard water
- 9-foot power cord for more manageable handling
- Fits neatly inside attaché or suitcase
- Available with a multiple plug converter for world travel

## Includes:



## Instructions for Use

1. Make sure your Esteam® is unplugged before filling.
2. Check to make sure the factory-installed red o-ring is secure inside the water tank before operating steamer (figure #1).
3. Fill with tap or distilled water to the full mark on the outside of the steamer. **Never overfill.** Never use water left overnight in steamer. Stale water causes foaming action and can create water droplets. If you start to see scale buildup in the water cup of your ESTEAM, it is time to clean it with our Jiffy Steamer Liquid Cleaner. Not doing so, could alter the performance of the unit.
4. After filling, place steam cap on steamer and twist firmly until cap arrows align with arrows on the tank (figure #2). Make sure it is secure before operating unit.
5. Plug your Esteam® into proper voltage outlet. Steamer will start heating within 15 seconds, providing live steam from cold water within 2 minutes.
6. **Always steam with a vertical up and down motion (figure #3). Do not tilt unit forward or backward.**
7. Avoid allowing steamer to run dry of water.
8. Refer to page 8 for complete cleaning instructions.

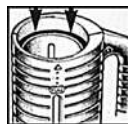


Figure 1

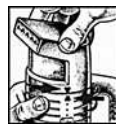


Figure 2

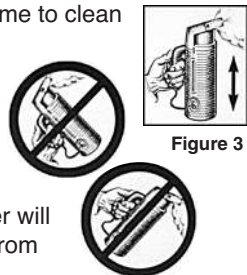
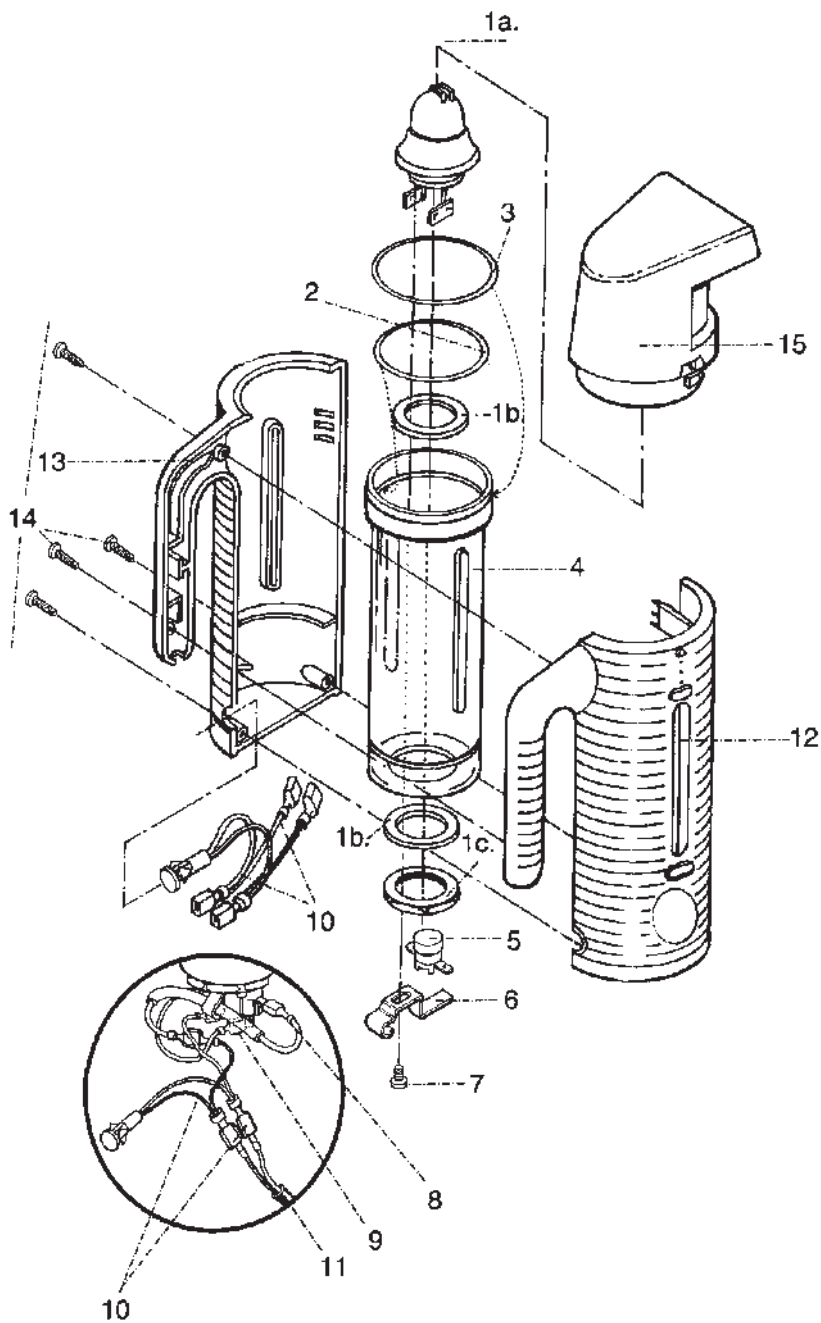


Figure 3

**WARNING:** Never operate without water. Unplug after each use.

# ESTEAM® Parts Diagram



# ESTEAM® Parts Diagram Key

Should you ever need replacement parts for your Jiffy® Steamer, you may purchase them separately. Use this diagram and parts list to identify any part you may need. Please include model and serial number when ordering.

## Jiffy Steamer

Key#	Part #	Part Description
1a	0653	Esteam 120 Volt 600 Watt Heater with Gaskets and Nut
	0655	Esteam 230 Volt 625 Watt Heater with Gaskets and Nut
1b		Gasket for Esteam Heater (set of 2)
1c		Nut for Esteam Heater
2	0661	Red Inside O-Ring
3	0662	Black Outside O-Ring
4	0669	Esteam Water Tank
5	0640	Esteam 36 T-L263 Thermostat
6	0643	Fusible Link Clamp
7	0644	Fusible Link Clamp Screw
8	0641	Fusible Link Wire with Insulated Lug (Orange)
9	0681	Red Wire with Insulated Lugs
10	0645	Pilot Light with Wiring Harness for 120 Volt Electrical Systems
	0646	Pilot Light with Wiring Harness for 230 Volt Electrical Systems
11	0647	Cord set (18/2 gauge)
12	0665	Right Case Half
13	0666	Left Case Half
14	0667	Four (4) Screws for Esteam Outer Case Halves
15	0663	Complete Steam Cap with Face Plate

## ACCESSORIES

0619	Voltage Converter for Travel
0899	Liquid Cleaner - 3 Ten (10) Ounce Bottles per Package*
	*Not Available for Export.

**ESTEAM Steam Caps with Face Plates and Case Halves are Available in Black or Pink. Please specify color when ordering.**

**If you don't see the part you need, please contact us.**

**Check pricing at [jiffysteamer.com](http://jiffysteamer.com)**



# ESTEAM® Cleaning Instructions

Once you begin to see calcium scale collect in the bottom of your ESTEAM® hand steamer, it is time to use the Jiffy® Steamer Liquid Cleaner. It is important that you use our cleaner as it was specially formulated for our products. Using another cleaner could void the warranty. Please follow these instructions:

1. Pour 4 ounces of water in your ESTEAM® hand steamer.
2. Plug in the unit and bring to full steam.
3. Unplug the unit and allow to cool for 2 minutes.
4. Pour out all water.
5. Pour in 5 ounces (1/2 bottle) of the Jiffy® Steamer Liquid Cleaner.
6. **DO NOT STEAM THE UNIT WITH THE LIQUID CLEANER.**
7. Leave the liquid cleaner in the unit for 3 hours.
8. Pour out the liquid cleaner solution.
9. Scrub with a stiff bristled brush to remove excess sediment as necessary.
10. Flush the unit 3 times with fresh water.
11. Resume steaming as normal.
12. Please call 1-731-885-6690 for further instruction or questions.

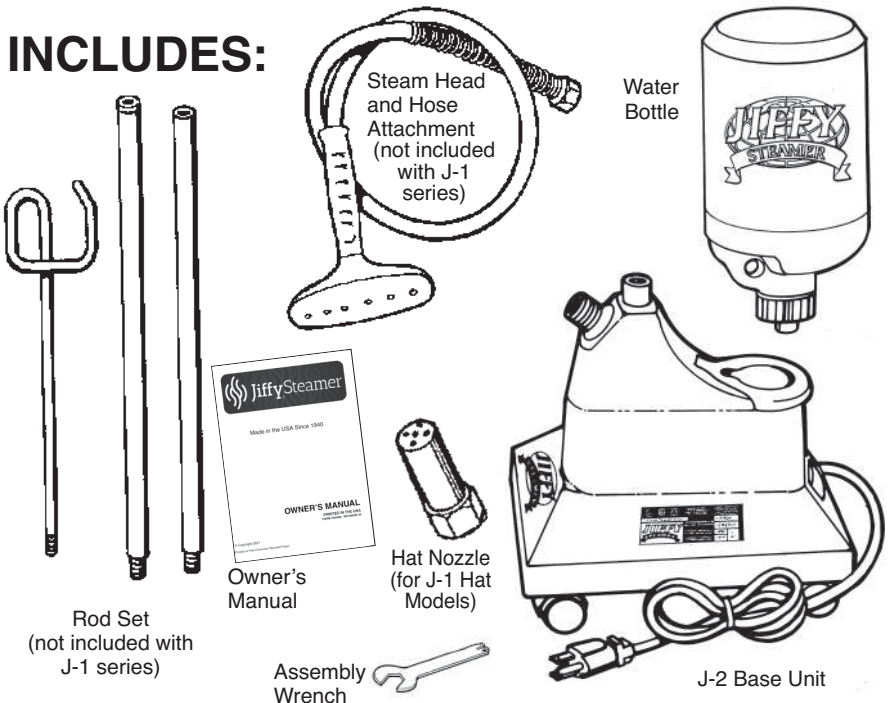


# J-1 and J-2 Model Steamer

## FEATURES

- Cast aluminum housing for durability
- Lightweight, flexible hose - Models J-2 (J-1 series utilizes a brass hat nozzle)
- Shatterproof water bottle
- Safety wiring feature temporarily turns the unit off if it accidentally runs dry
- Comfortable, easy-to-grip handle
- Removes wrinkles up to five times faster than conventional ironing
- Easy-roll casters for mobility (casters not included with J-1 series)
- Numerous steam head attachments available
- 120 volt or 230 volt units available
- Backed by Jiffy®'s renowned customer service--should your steamer need repair, send it to us and we will repair and ship the unit within 24 hours from its arrival to our plant

## INCLUDES:



# J-1 and J-2 Model Steamer Instructions

1. For J-2 models, (figure #1) attach hose firmly with included assembly wrench. Assemble and attach hose hanger rod set. For J-1 models, the brass hat nozzle should already be attached. There is no rod set or hose attachment for J-1 models. Every Jiffy® Steamer has been factory tested and it is not uncommon for small amounts of water to be in the unit.
2. Invert bottle of fresh tap or distilled water, plug into proper voltage outlet, turn switch to lighted ON position and you will have steam within minutes. Never use your foot to turn steamer on/off. Never substitute the Jiffy® Steamer water bottle.



Figure 1



Figure 2

3. For easy operation, mount optional Jiffy® Steamboard to door or wall to hold clothing while steaming (figure #2). For hanging garments without optional Jiffy® Steamboard, simply use your steamer's rod set as shown in figure #3. Touch material lightly with steaming head and wrinkles will vanish instantly. The combined touch of the steaming head and the direct steam is very important. Some articles can be steamed better from the underneath side. Speed and efficiency is accomplished with a little practice. Always steam with hose in an upright position, so any condensation is free to flow back into steamer. If steaming in a low position near floor, extend hose up and out frequently to keep clear of condensation. **DO NOT ALLOW STEAMER TO RUN DRY.**



Figure 4

4. Hang steam head in an upright position in the hose hanger section when not in use and turn switch to OFF (figure #3).
5. Periodically, pour old water out of steamer to avoid sediment buildup and maintain proper water level (figure #4). Remove hard water deposits with Jiffy® Liquid Cleaner. See page 21 for complete cleaning instructions.

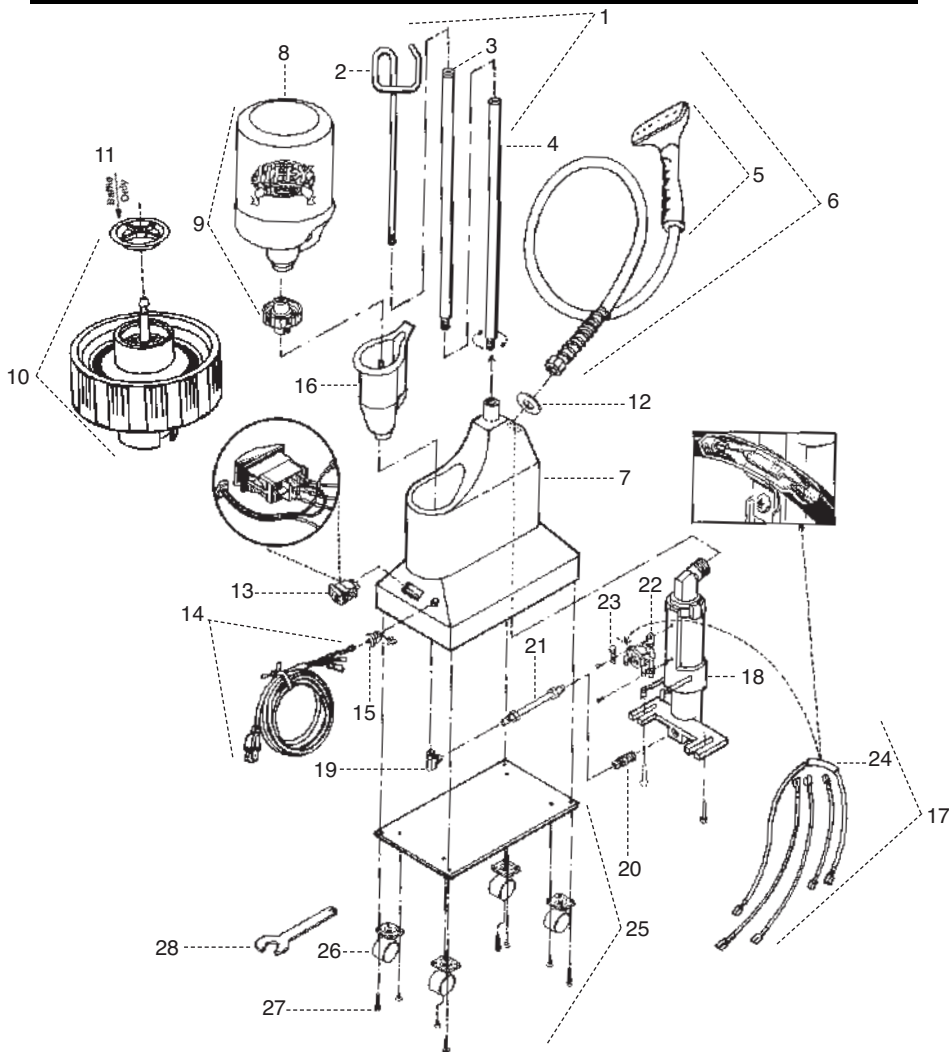


Figure 3

NOTE: No two water supplies have the same mineral content. If your steamer begins to turn on and off during normal use, the thermostat is indicating the heating unit needs the sediment cleaned out.

**WARNING:** Never operate without water. Unplug after each use.

# J-1 and J-2 Parts Diagram



Should you ever need replacement parts for your Jiffy® Steamer, you may purchase them separately. Use this diagram and parts list to identify any part you may need. Please include model and serial number when ordering.

## Jiffy Steamer

Key#	Part #	Part Description
1	1029	Rod Set Complete with Threaded Bottom Section
	1030	Rod Set and Nut Complete with Metal Studs (pre August 2021 models)
	0031	Hose Hanger Rod Set with Adapter Complete
	0031A	Hose Hanger Rod Set without Adapter Complete
	0041	Base Adapter with Thumb Screw (for Old Style Rods Sets)
2	0035	Hook Section of Rod Set
3	0036	Middle Section of Rod Set

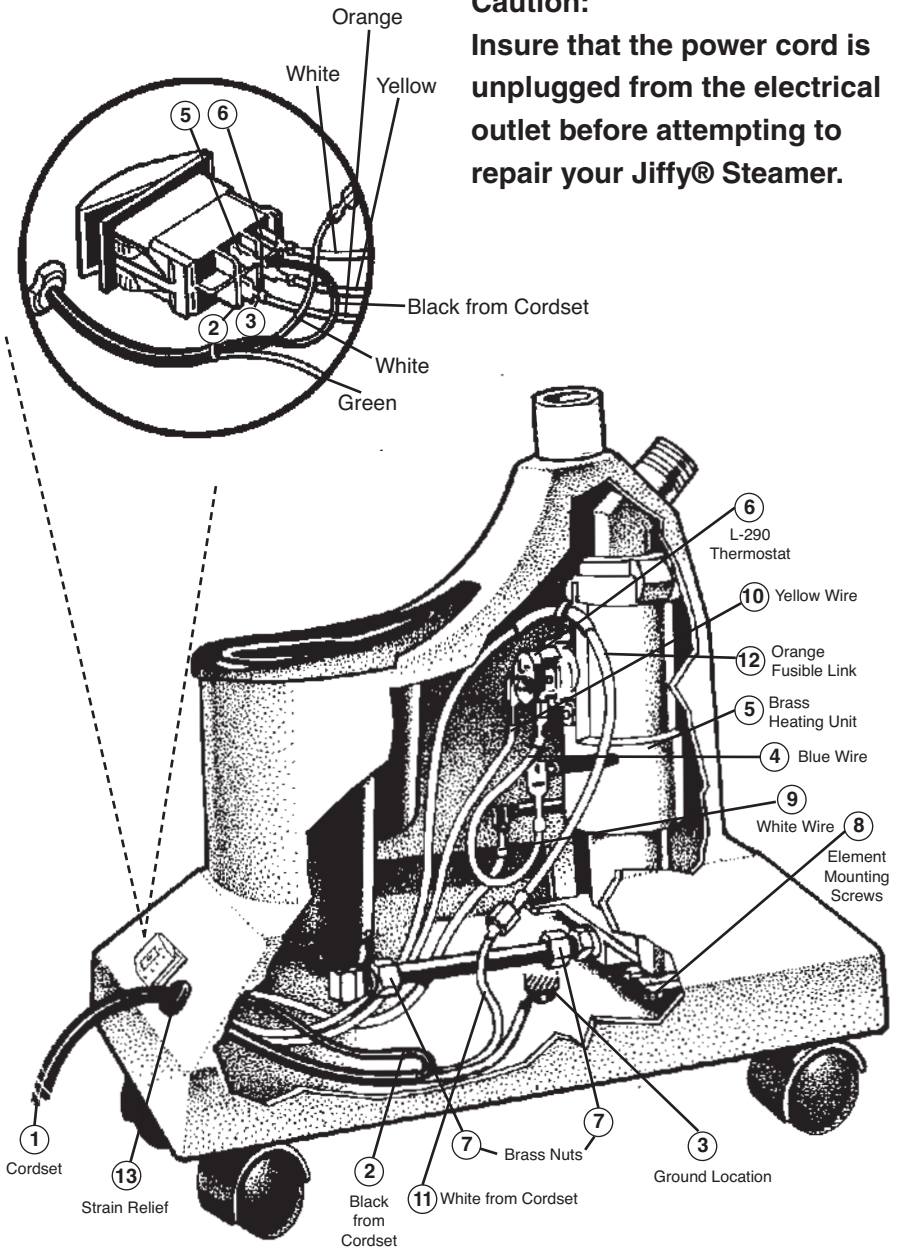
# J-1 and J-2 Parts Diagram Key

Jiffy Steamer		
Key#	Part #	Part Description
4	1033	Bottom Section of Rod Set (with Nut Attached) (pre August 2021 models)
	0037	Bottom Section of Rod Set (without Nut)
	1028	Bottom Section of Rod Set with Threads
	0043	Metal Threaded Cap Screw for Rod Set
	0039	Metal Threaded Stud for Rod Sections
5	0253	Plastic Steam Head/Handle Replacement Kit
6	0251	Plastic Head/Handle Hose Attachment Complete
	0280	Hose Per Foot (Black in Color)
7	0003B	Painted Die Cast Aluminum Housing Kit 120 Volt
	0003C	Painted Die Cast Aluminum Housing Kit 230 Volt
	0023	Plastic Water Bottle "A" with Cap
	0027	Replacement Cap for Water Bottle "A"
8	0026A	Plastic Water Bottle "B" without Check Valve Cap
9	0025	Plastic Water Bottle "B" with Check Valve Cap
10	0027A	Replacement Check Valve Cap for Water Bottle "B"
11	0027B	Replacement Check Valve Cap Baffle Only
12	0004	Round Beauty Ring
	0122	Toggle Switch (3 Pieces)
	0127	Red Neon Pilot Light with Lock Ring 120 Volt
	0128	Red Neon Pilot Light with Lock Ring 230 Volt
13	1125	Green Lighted Contura Rocker Switch 120 Volt
	1126	Green Lighted Contura Rocker Switch 230 Volt
14	0132	Cord Set (16/3 gauge) with Strain Relief
15	0132B	Cord Strain Relief
16	0028	Water Cup with 90 Degree Brass Fitting
	0147	Internal Wire Set for Models with Front Red Light
17	0148	Internal Wire Set for Models with Green Contura Rocker Switch
	0596	Heating Unit Kit (wiring included) for Models with Front Red Light - 120 Volt Cord Set and 4" Water Line
	0177A	Heating Unit Kit (wiring included) for Models with Front Red Light - 230 Volt Cord Set and 4" Water Line
	0597	Heating Unit Kit (wiring included) for Models with Green Lighted Rocker Switch - 120 Volt Cord Set and 4" Water Line
	0597A	Heating Unit Kit (wiring included) for Models with Green Lighted Rocker Switch - 230 Volt Cord Set and 4" Water Line
18	0161A	Heating Unit Assembly (no wiring included) - 120 Volt and 4" Water Line
	0162A	Heating Unit Assembly (no wiring included) - 230 Volt and 4" Water Line
19	0030	Brass 90 Degree Elbow Joint
20	1130	3/8" x 1/4" Straight Brass Fitting for Heating Element Housing. *Beginning in November 2012, this fitting is now cast into the heating element.
21	0591	Copper Tube (4" length) with Nuts and Compression Rings
	1191	Copper Tube (4 1/2" length) with Nuts and Compression Rings
	0187	Copper Tube (5" length) with Nuts and Compression Rings
22	0160	L-290 Thermostat
23	0195	Fusible Link Clamp
24	0151	Fusible Link Wire with Insulated Lug and Clamp
25	0009	Bottom Plate with Casters
26	0011	Bottom Plate Casters (Set of 4)
27	0010	Screws for Bottom Plate (4 Screws Total)
<b>ACCESSORIES</b>		
28	1026	"I" Kit - 5.5' Hose with Four Attachments
	1048	Jiffy Steamer Assembly Wrench
	0274	Brass Hat Nozzle Attachment
	0254	Metal Head/Wood Handle Hose Attachment Complete
	0256	Metal Head / Wood Handle Only
	0269	Replacement Wooden Handle (for Metal Steam Heads)
	0262	Wig Hose Attachment
	1062	Steam Cleaning "B" Brush Hose Attachment
	1063	Brush Only for the "B" Hose Attachment
	0899	Liquid Cleaner - 3 Ten (10) Ounce Bottles per Package*
		*Not Available for Export.

# J-1 and J-2 Wiring Diagram

## Caution:

Insure that the power cord is unplugged from the electrical outlet before attempting to repair your Jiffy® Steamer.



# J-1 and J-2 Wiring Instructions

Before attempting any repair on a Jiffy Steamer product, make sure that it is unplugged from the outlet. If you have any questions, please contact our repair department at 1-800-525-4339 between 7:30 AM - 4:00 PM Central Time.

Please note switch terminal 2, 3, 5 and 6 indicated on the enlarged switch diagram are marked on the actual switch. Jiffy® Steamers manufactured before May 2000 are not marked with the terminal switch numbers. Numbers in parenthesis refer to the drawing on page 15.

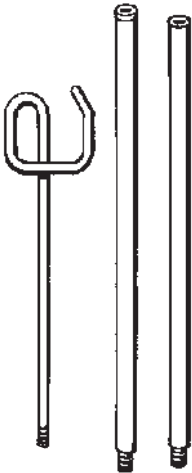
1. Insert cord set (1) into housing and connect black positive wire (2) from cord set to terminal number 5 on the switch.
2. Secure with grounding screw ground wire from cord set to the ground location on the housing (3).
3. Connect blue wire (4) from the right side of brass heating element (5) to right side of the L-290 thermostat (6).
4. Insert brass heating element unit into housing. Hand tighten the brass nuts (7) on the water line to the element and to the 90 degree fitting from the cup. Tighten 2 mounting screws (8) at the base of heating element. Now, use a 5/8" wrench to securely tighten the brass nuts on the water line to the element and to the 90 degree fitting from the water cup. Heating unit may be loosened and adjusted for a better fit if necessary.
5. Connect white wire (9) from the left side of the heater unit to terminal number 6 on switch.
6. Connect yellow wire (10) from the left side of the thermostat to terminal number 3 on the switch.
7. Connect white neutral wire (11) from cord set bundle to orange fusible link with plastic connector (12).
8. Connect other end of orange fusible link to terminal number 2 on the switch.
9. Set steamer upright and place black plastic strain relief (13) approximately 4 1/2" from end of cord set and insert into housing using pliers.
10. Secure bottom plate with four screws.
11. To avoid leakage, be sure to tighten hose (or hat nozzle) with wrench before using steamer.

# J-2000 Model

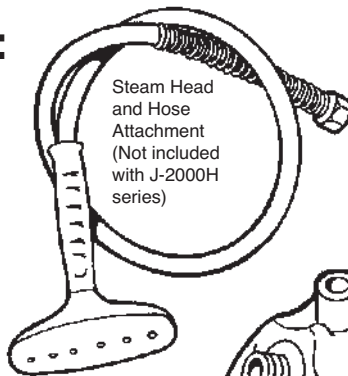
## FEATURES

- Polymer outer housing unit for durability
- Lightweight, flexible hose
- Shatterproof water caddy
- Safety wiring feature temporarily turns the unit off should it accidentally run dry
- Comfortable, easy-to-grip handle
- Removes wrinkles up to five times faster than conventional ironing
- Easy-roll casters for mobility
- Numerous steam head attachments available
- 120 volt or 230 volt units available
- Backed by Jiffy®'s renowned Customer Service--should your steamer need repair, send it to us and we will repair and ship the unit within 24 hours from its arrival to our plant

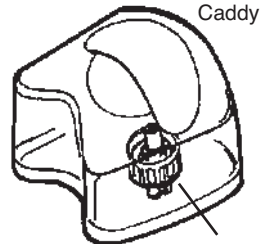
## INCLUDES:



Rod Set  
(Not included  
with J-2000H series)

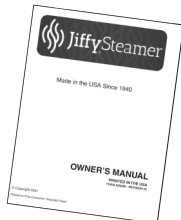


Steam Head  
and Hose  
Attachment  
(Not included  
with J-2000H  
series)



Water  
Caddy

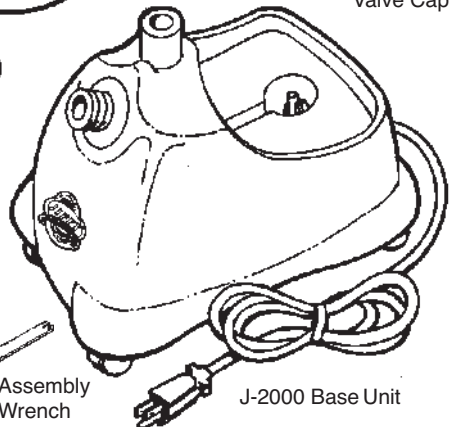
Check  
Valve Cap



Owner's  
Manual



Assembly  
Wrench



J-2000 Base Unit



# J-2000 Instructions

1. Attach hose firmly with included assembly wrench. Assemble and attach hose hanger rod set. Every Jiffy® Steamer has been factory tested and it is not uncommon for small amounts of water to be in the unit.

2. Invert water caddy filled with tap or distilled water, plug into proper voltage outlet, turn switch to lighted ON position and you will have steam within minutes. Never substitute the Jiffy® Steamer water caddy.

3. For easy operation, mount optional Jiffy® Steamboard to door or wall to hold clothing while steaming (figure #2). For hanging garments without optional Jiffy® Steamboard, simply use your steamer's rod set as shown in figure #3. Touch material lightly with steaming head and wrinkles will vanish instantly. The combined touch of the steaming head and the direct steam is very important. Some articles can be steamed better from the underneath side. Speed and efficiency is accomplished with a little practice. Always steam with hose in an upright position, so any condensation is free to flow back into steamer. If steaming in a low position near floor, straighten hose up and out frequently to keep clear of condensation.



Figure 2

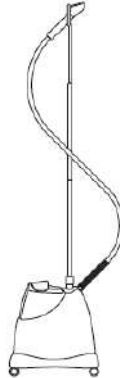


Figure 1

**DO NOT ALLOW STEAMER TO RUN DRY.**

4. Hang steam head in an upright position in the hose hanger section when not in use and turn switch to OFF (figure #3).

5. Periodically, pour old water out of steamer to avoid sediment buildup and maintain proper water level (figure #4). Remove hard water deposits with Jiffy® Liquid Cleaner. Wipe water cup out with a hand towel. See page 21 for complete cleaning instructions.

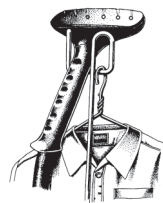


Figure 3

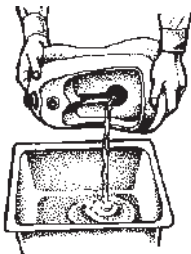
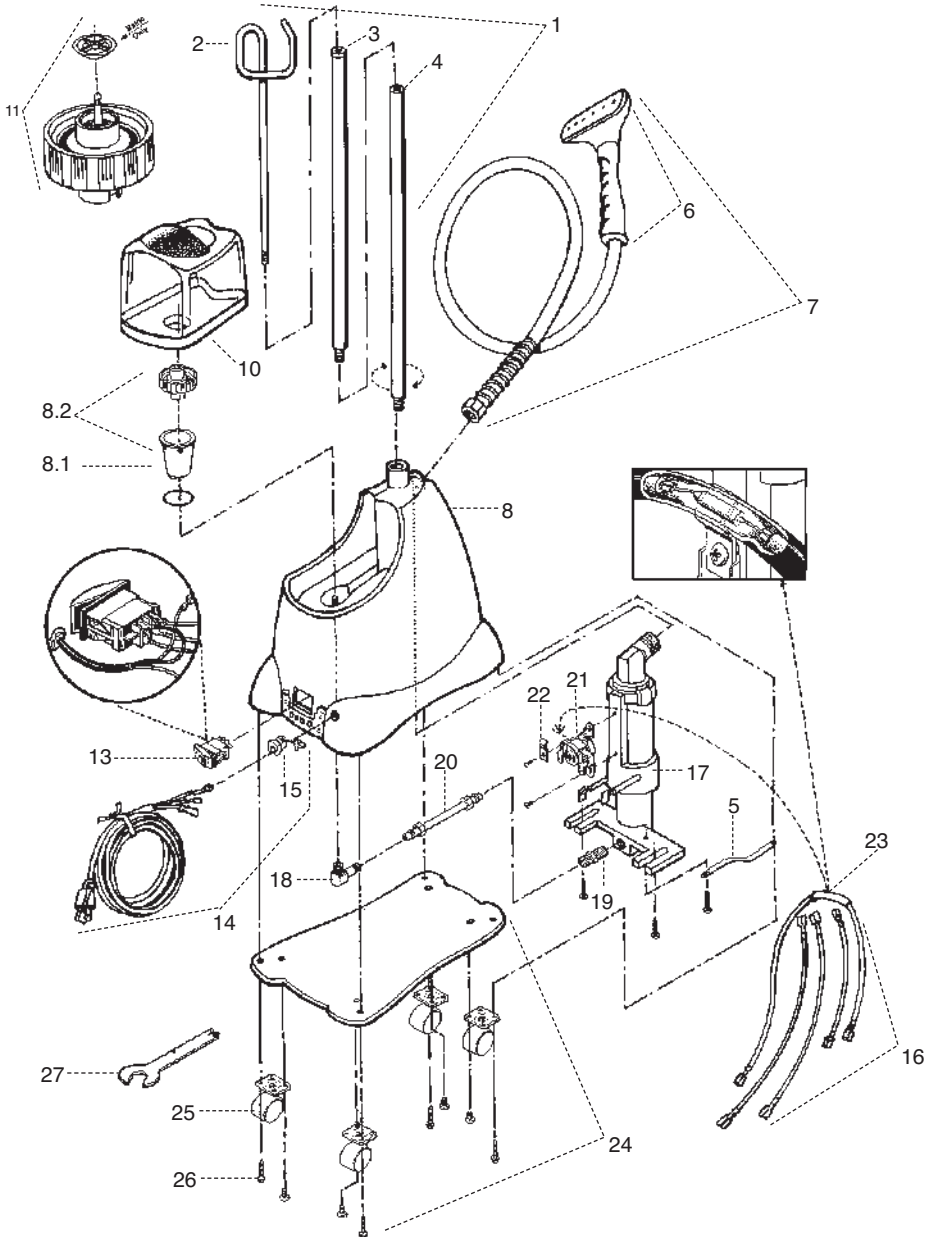


Figure 4

**NOTE:** No two water supplies have the same mineral content. If your steamer begins to cut on and off during normal use, the thermostat is indicating the heating unit needs the sediment cleaned out.

**WARNING:** Never operate without water. Unplug after each use.

# J-2000 Parts Diagram



Should you ever need replacement parts for your Jiffy® Steamer, you may purchase them separately. Use this diagram and parts list to identify any part you may need. Please include model and serial number when ordering.

# J-2000 Parts Diagram Key

Key#	Jiffy Steamer Part #	Part Description
1	1029	Rod Set Complete with Threaded Bottom Section
	1030	Rod Set and Nut Complete with Metal Studs (pre August 2021 models)
2	0035	Hook Section of Rod Set
3	0036	Middle Section of Rod Set
4	1033	Bottom Section of Rod Set (with Nut Attached) (pre August 2021 models)
	1028	Bottom Section of Rod Set with Threads
	0043	Metal Threaded Cap Screw for Rod Set
	0039	Metal Threaded Stud for Rod Sections
5	1102	Grounding Strap for Heating Element
6	0253	Plastic Steam Head/Handle Replacement Kit
7	0251	Plastic Head/Handle Hose Attachment Complete
	0280	Hose Per Foot (Black in Color)
8	1107B	J-2000 Beige Housing Kit with Water Cup - 120 Volt
	1107C	J-2000 Beige Housing Kit with Water Cup - 230 Volt
	1107PB	J-2000 Pink Housing Kit with Water Cup - 120 Volt
	1107PC	J-2000 Pink Housing Kit with Water Cup - 230 Volt
8.1	1110	O-Ring for J-2000 Water Cup
8.2	1111	J-2000 Water Cup with 90 degree Bass Fitting and o-ring
9	1140	J-2000 Water Caddy Complete with Check Valve Cap
10	1141	J-2000 Water Caddy Complete without Check Valve Cap
11	0027A	Replacement Check Valve Cap
	0564	Ryton Insulator Set (2 feet and 1 ring)
12	0027B	Replacement Check Valve Cap Baffle Only
13	1125	Green Lighted Contura Rocker Switch - 120 Volt
	1126	Green Lighted Contura Rocker Switch - 230 Volt
14	0132	Cord Set (16/3 gauge) with Strain Relief
15	0146B	Cord Strain Relief
16	0148	Internal Wire Set
	0597	Heating Unit Kit (wiring included) for Models with Green Lighted Contura Rocker Switch - 120 Volt Cord Set and 4" Water Line
	0597A	Heating Unit Kit (wiring included) for Models with Green Lighted Contura Rocker Switch - 230 Volt Cord Set and 4" Water Line
17	0161A	Heating Unit Assembly (no wiring included) for Models with Green Lighted Rocker Switch - 120 Volt Cord Set and 4" Water Line
	0162A	Heating Unit Assembly (no wiring included) for Models with Green Lighted Contura Rocker Switch - 230 Volt Cord Set and 4" Water Line
18	1131	Brass 90 Degree Elbow Joint - Extended Version
19	1130	3/8" x 1/4" Straight Brass Fitting for Heating Element Housing. *Beginning in November 2012, this fitting is now cast into the heating element.
20	0591	Copper Tube(4" length) with Nuts and Compression Rings
21	0160	L-290 Thermostat
22	0195	Fusible Link Clamp
23	0151	Fusible Link Wire with Insulated Lug and Clamp
24	1120	Bottom Plate with Casters
25	0011	Bottom Plate Casters (Set of 4)
26	1114	Screws for Bottom Plate (4 Screws Total)

## ACCESSORIES

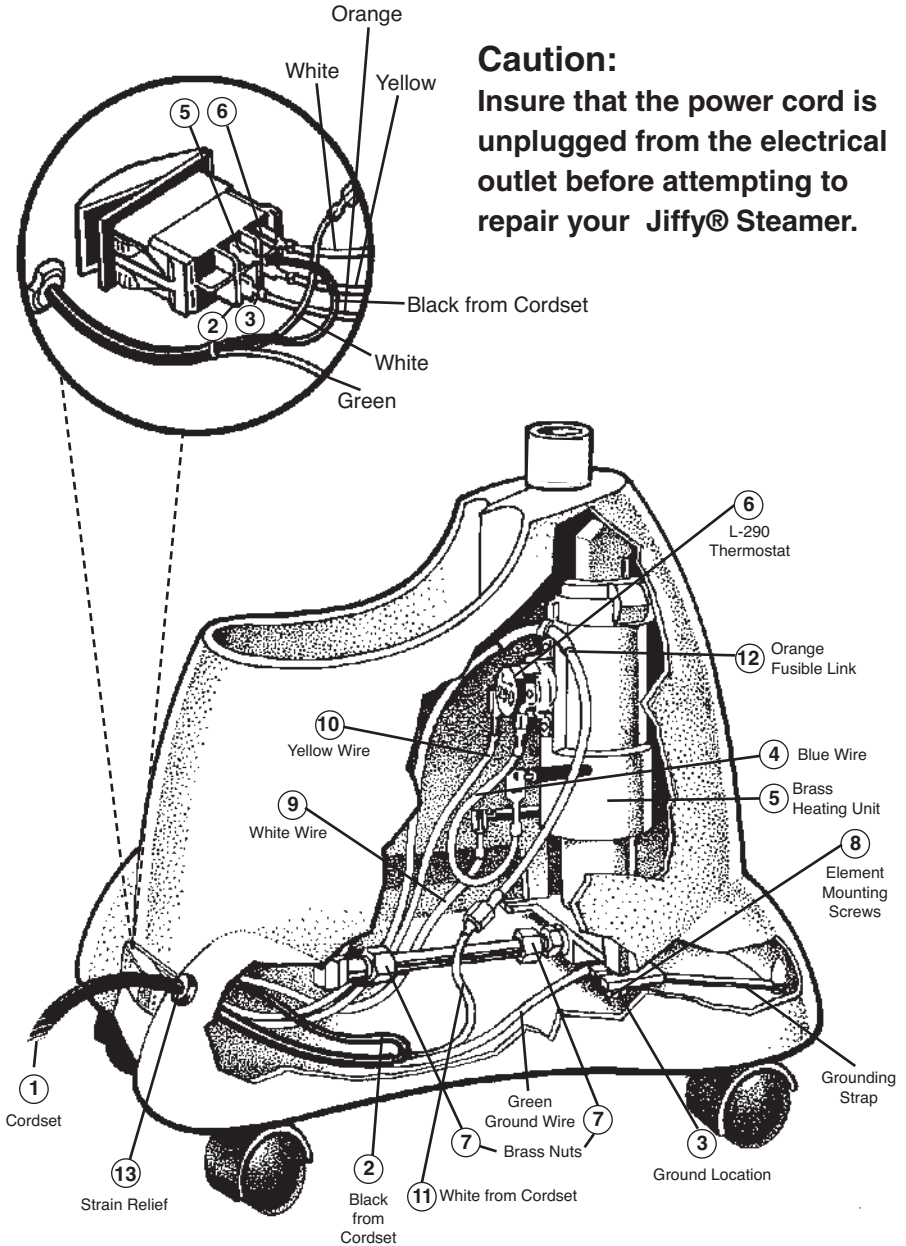
	1026	"I" Kit - 5.5' Hose with Four Attachments
27	1048	Jiffy Steamer Assembly Wrench
	0254	Metal Head/Wood Handle Hose Attachment Complete
	0256	Metal Head / Wood Handle Only
	0269	Replacement Wooden Handle (for Metal Steam Heads)
	0262	Wig Hose Attachment
	1062	Steam Cleaning "B" Brush Hose Attachment
	1063	Brush Only for the "B" Hose Attachment
	0899	Liquid Cleaner - 3 Ten (10) Ounce Bottles per Package*
		*Not Available for Export.

If you don't see the part you need, please contact us. Check pricing at [jiffysteamer.com](http://jiffysteamer.com)

# J-2000 Wiring Diagram

## Caution:

Insure that the power cord is unplugged from the electrical outlet before attempting to repair your Jiffy® Steamer.



# J-2000 Wiring Instructions

Before attempting any repair on a Jiffy Steamer product, make sure that it is unplugged from the outlet. If you have any questions, please contact our repair department at 1-800-525-4339 between 7:30 AM - 4:00 PM Central Time.

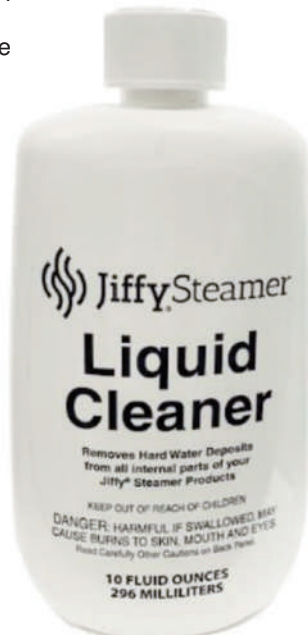
Please note switch terminal 2, 3, 5 and 6 indicated on the enlarged switch diagram are marked on the actual switch. Jiffy® Steamers manufactured before May 2000 are not marked with the terminal switch numbers. Numbers in parenthesis refer to the drawing on page 21.

1. Insert cord set (1) into housing and connect black positive wire (2) from cord set to terminal number 5 on the switch.
2. Connect blue wire (4) from the right side of brass heating element (5) to right side of the L-290 thermostat (6).
3. Insert brass heating element unit into housing. Hand tighten the brass nuts (7) on the water line to the element and to the 90 degree fitting from the cup. Tighten 2 mounting screws (8) at the base of heating element. Now, use a 5/8" wrench to securely tighten the brass nuts on the water line to the element and to the 90 degree fitting from the cup. Heating unit may be loosened and adjusted for a better fit if necessary.
4. Place the copper 4 inch grounding strap as shown in drawing. Secure grounding strap and the green ground wire with the grounding screw by attaching to the heating element ground location (3).
5. Connect white wire (9) from the left side of the heater unit to terminal number 6 on switch.
6. Connect yellow wire (10) from the left side of the thermostat to terminal number 3 on the switch.
7. Connect white neutral wire (11) from cord set bundle to orange fusible link with plastic connector (12).
8. Connect other end of orange fusible link to terminal number 2 on the switch.
9. Set steamer upright and place black plastic strain relief (13) approximately 4 1/2" from end of cord set and insert into housing using pliers.
10. Secure bottom plate with four screws.
11. To avoid leakage, be sure to tighten hose (or hat nozzle) with wrench before using steamer.

# J-1, J-2 and J-2000 Cleaning Instructions

The cleaning procedure below is recommended as a regular maintenance measure to help your steamer maintain its maximum steaming performance. This maintenance should be performed on a basis of every 3-6 months depending on your water supply. In most cases, a steamer that is severely clogged will require disassembly to properly clean and prolong the life span of the unit. An authorized repair center or a Jiffy® Steamer service technician best performs this disassembly.

1. Unplug your steamer from the wall outlet. Remove hose attachment at the brass coupling using a wrench and remove water bottle from unit. Pour out any remaining water from your unit.
2. If the hose attachment is blocked by sediment build-up, flush your hose attachment by using a garden water hose. This should loosen and remove any build-up that may have occurred within the hose itself.
3. To clean the internal parts of your steamer, use of the Jiffy® Liquid Cleaner (10 ounce bottle) is recommended. This acid-based cleaner will remove hard water deposits and sediment build-up. This cleaner is not available for export.
4. Pour the cleaning solution into the water cup of your steamer. This is the location on the steamer base where you normally place the water bottle or caddy. Allow the cleaning solution to remain in the unit for 3 hours. **DO NOT STEAM THE SOLUTION IN THE UNIT AS DAMAGE MAY OCCUR.**
5. Pour the cleaning solution out of the steamer. Do this by tilting the steamer back and forth and pouring the solution out of the water cup area.
6. Rinse the unit thoroughly by flushing with fresh water 3 times.
7. If discolored water or residue continues to come from the unit, the above procedure may need to be repeated.
8. Please call 1-731-885-6690 for further instructions or questions.

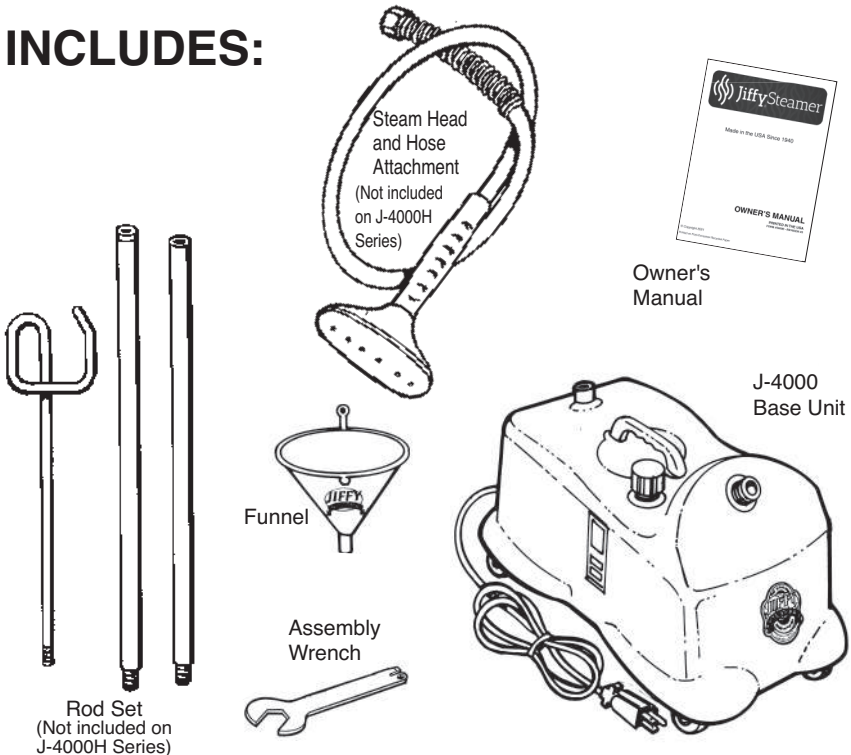


# J-4000 Pro-Line Model Steamer

## FEATURES

- Built-in, easy-to-read sight gauge which indicates water level and sediment build-up
- Cast aluminum housing unit for durability
- Corrosion-proof stainless steel boiler tank--no water lines to become clogged with hard water deposits
- Dual thermostats for standby and steam settings
- Safety wiring feature temporarily turns the unit off should it accidentally run dry
- Pressure release water fill cap
- Numerous steam head attachments available
- Backed by Jiffy®'s renowned customer service--should your steamer need repair, send it to us and we will repair and ship the unit within 24 hours from its arrival to our plant

## INCLUDES:



# J-4000 Directions

1. Attach hose firmly with included assembly wrench (figure #1). Assemble and attach hose hanger rod set. For "H" series models, there will be no hose attachment or rod set to attach.



Figure 1

2. Using supplied funnel, add a maximum of four quarts of warm (fresh tap or distilled) water (cold water takes longer to heat). Do not overfill. The black water fill cap has a pressure release feature that is designed to activate should there be an increase of pressure in the boiler tank (depends on model ordered). If you start to see or hear steam escaping from the cap, check to see if the hose has a kink or loop in it. If so, straighten out the hose. If the escaping steam does not cease, please contact Jiffy Steamer at 731-885-6690. Plug into proper voltage outlet, turn switch to "STEAM". It will take approximately 16 minutes for the unit to reach full steam. The model J-4000 steamer contains a large water reservoir and will provide 2 hours of continuous steaming power. You may turn the rotary power switch to the "STANDBY" position (figure #3) if you will be using your steamer intermittently throughout the day. This will maintain the water temperature of the steamer and allow you to turn the switch to the "STEAM" setting and quickly have full steam power.



Figure 2

3. The combined touch of the steaming head and the direct steam is very important. Some articles can be steamed better from the underneath side.

Always steam with hose in upright position so any condensation is free to flow back into steamer. If steaming in a low position near floor, straighten hose up and out frequently to keep it clear of condensation. If steamer runs dry it will temporarily shut off. Once finished using the unit, turn the switch to the "OFF" position. If more water needs to be added to the steamer, allow steamer to cool before removing fill cap and adding more water. Never pour cold water on a hot



Figure 3

element. Resume steaming by resetting the switch to the "STEAM" position.

4. Hang steam head and hose in upright position in the hose hanger section (figure #4), turn switch to the "OFF" position (figure #3) and unplug the cord set when not in use.

5. Periodically, pour old water out of steamer to avoid sediment build up and maintain proper water level. Never have more than 4 quarts of water in steamer. If overfilled, water will boil up into hose. The Jiffy® Liquid Cleaner is recommended every 6 months to flush mineral deposits. See page 30 for complete cleaning instructions.

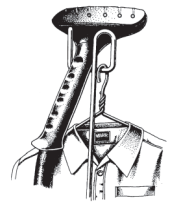


Figure 4

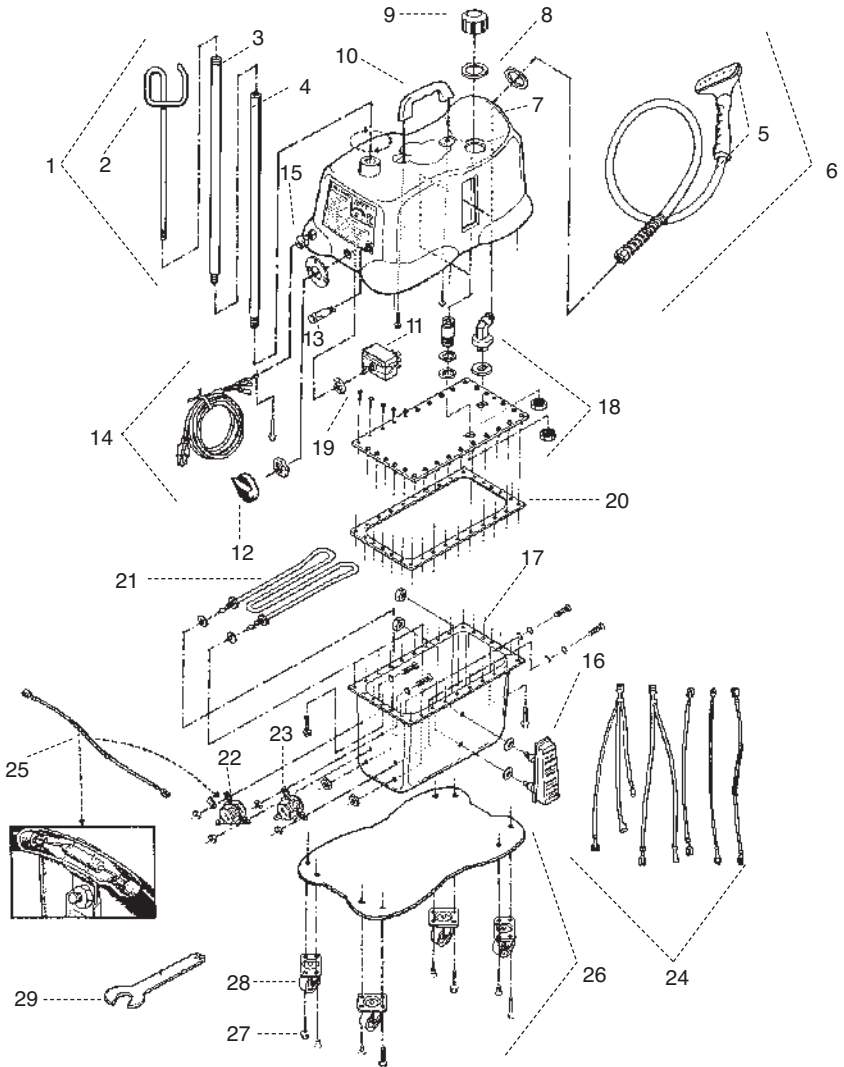
Every Jiffy® Steamer has been factory tested and it is not uncommon for small amounts of water to be in the unit.

**WARNING:** Never operate without water. Unplug after each use.



# J-4000 Parts Diagram

\* For models manufactured after March 2005.



Should you ever need replacement parts for your Jiffy® Steamer, you may purchase them separately. Use this diagram and parts list to identify any part you may need. Please include model and serial number when ordering.

## Jiffy Steamer

Key#	Part #	Part Description
1	1029	Rod Set Complete with Threaded Bottom Section
	1030	Rod Set and Nut Complete with Metal Studs (pre August 2021 models)
	1034	Rod Set and Nut Complete for Drapery Steamers
	1029A	Rod Set Complete with Threaded Bottom Section of Drapery Steamers
2	0035	Hook Section of Rod Set
3	0036	Middle Section of Rod Set (with Barrel Stud and Cap Screw)

# J-4000 Parts Diagram Key

## Jiffy Steamer

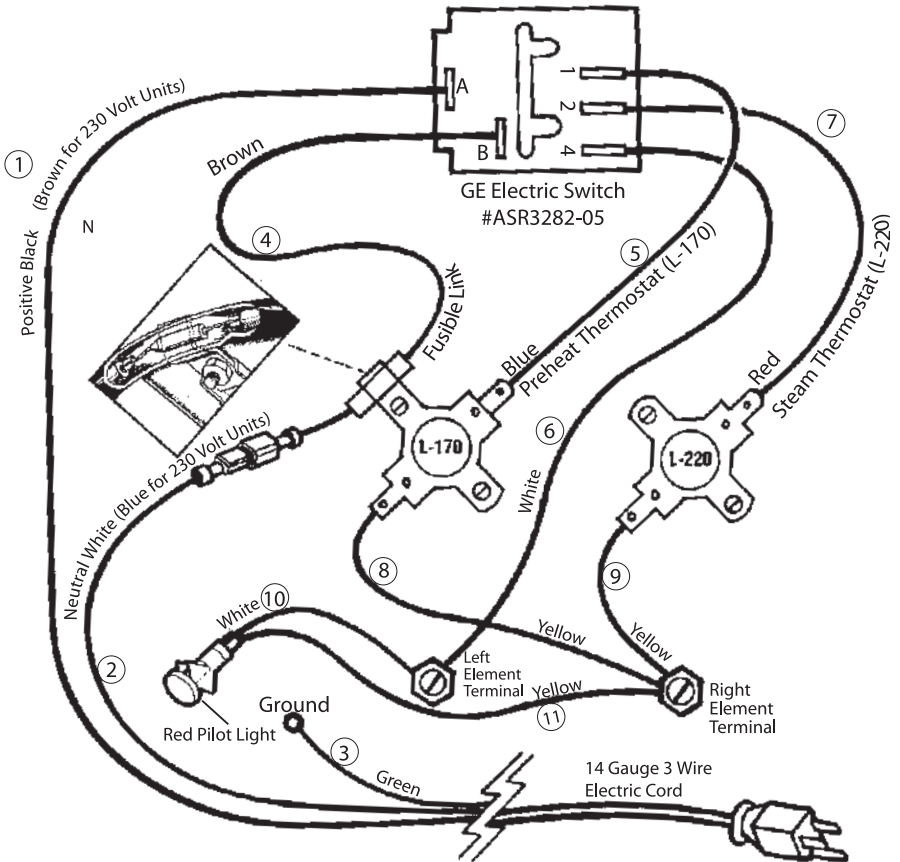
Key#	Part #	Part Description
4	1033	Bottom Section of Rod Set (with Nut Attached) (pre August 2021 models)
	0037	Bottom Section of Rod Set (without nut)
	0038	Additional Middle Section of Rod Set for Drapery Steamers
	1028	Bottom Section of Rod Set with Threads
	0043	Metal Threaded Cap Screw for Rod Set
5	0039	Metal Threaded Stud for Rod Sections
	0253	Plastic Steam Head/Handle Replacement Kit
6	0251	Plastic Head/Handle Hose Attachment Complete
	0280	Hose Per Foot (Black in Color)
7	1302	J-4000 Die Cast Aluminum Housing Kit (120 Volt)
	1303	J-4000 Die Cast Aluminum Housing Kit (230 Volt)
	0006	Hex Beauty Ring
8	0004	Round Beauty Ring
9	0049P	Pressure Release Water Fill Cap
	0053	Funnel
10	0054	Housing Handle with Two Screws
11	0199	Rotary Power Switch and Knob
12	0201	Replacement Knob Only for Rotary Power Switch
13	1310	Red Neon Pilot Light (120 VOLT)
	1311	Red Neon Pilot Light (230 VOLT)
14	0133	Cord Set (14/3 gauge) with Strain Relief
15	0146C	Cord Strain Relief
16	0050	Water Level Sight Gauge with Nuts and Washers
	1353	Stainless Steel Boiler Tank Kit Complete (120 Volt/1500 Watts)
	1354	Stainless Steel Boiler Tank Kit Complete (230 Volt/1500 Watts)
	0074A	Stainless Steel Boiler Tank with Sight Gauge (J-4)
	0074C	Stainless Steel Boiler Tank Only
18	1370	Stainless Steel Boiler Tank Lid with 2 Brass Fittings and 2 Beauty Rings
19	0071	Boiler Tank Screw Set (Set of 30)
	0061	Boiler Tank Silicone Sealer (2.8 Fluid Ounces)
	0062	Boiler Tank Silicone Sealer (10.1 Fluid Ounces)
20	0075	Boiler Tank Gasket
21	0063	"W" Bend Heating Element (120 Volt, 1500 Watt) with Hardware
	0064	"W" Bend Heating Element (230 Volt, 1500 Watt) with Hardware
22	0203	Standby Thermostat (L-170)
23	0204	Steam Thermostat (L-220)
24	0155	Internal Wire Set (Set of 5 Wires) for "W" Bend Element
25	0158	Fusible Link Wire with Insulated Sleeve and Clamp
26	1320	Bottom Plate with Four Casters
27	0017	Bottom Plate Screws (Set of 4)
28	0018	Bottom Plate Casters (Set of 4)
<b>ACCESSORIES</b>		
	1026	"I" Kit - 5.5' Hose with Four Interchangeable Steam Head Attachments
	1027	"I" Kit - 7.5' Hose with Four Interchangeable Steam Head Attachments
29	1048	Jiffy Steamer Assembly Wrench
	0259	Auto Hose Attachment with Dual Metal Heads
	0257	Carpet Hose Attachment with 12" wide Metal Head
	0252	7.5' Drapery Hose Attachment with Plastic Steam Head
	0255	7.5' Drapery Hose Attachment with Metal Steam Head
	0254	Metal Head / Wood Handle Hose Attachment Complete
	0256	Metal Head / Wood Handle Only
	0269	Replacement Wooden Handle (for Metal Steam Heads)
	0262	Wig Hose Attachment
	0274	Brass Hat Nozzle Attachment
	1062	Steam Cleaning "B" Brush Hose Attachment
	1063	Brush Only for the "B" Hose Attachment
	0899	Liquid Cleaner - 3 Ten (10) Ounce Bottles per Package*

\*Not Available for Export.

# J-4000 Wiring Diagram

## Caution:

Insure that the power cord is unplugged from the electrical outlet before attempting to repair your Jiffy® Steamer.



# J-4000 Wiring Instructions

**Please note, the switch terminal numbers and the switch terminal letters are marked on the actual switch.**

1. Positive black (1) (brown for 230 volt units) to A on switch.
2. Neutral white to (2) brown fuse wire (4) (blue for 230 volt units).
3. Green ground wire (3) to grounding mount on housing.
4. Brown fuse (4) wire to B on switch.
5. Blue wire (5) from top of standby thermostat (L170) to #1 on switch.
6. White wire (6) from left side of element to #4 on switch.
7. Red wire (7) from top of steam thermostat (L-220) to #2 on switch.
8. Long yellow wire (8) from bottom of standby thermostat to right side of element.
9. Short yellow wire (9) from right side of element to bottom of steam (L-220) thermostat.
10. White wire (10) from light to left side of element.
11. Medium length yellow wire (11) from light to right side of element.

## Questions?

Call 1-800-525-4339 and ask for a technician.

Please have your  
model and serial numbers available.

Or you may e-mail us at  
[info@jiffysteamer.com](mailto:info@jiffysteamer.com)

# J-4000 Cleaning Instructions

The cleaning procedure below is recommended as a regular maintenance measure to help your steamer maintain its maximum steaming performance. This maintenance should be performed on a basis of every 3-6 months depending on your water supply. In most cases, a steamer that is severely clogged will require disassembly to properly clean and prolong the life span of the unit. An authorized repair center or a Jiffy® Steamer service technician best performs this disassembly.

1. Remove hose attachment from unit at the brass coupling using a wrench. Pour out any remaining water from your unit.
2. If the hose attachment is blocked by sediment build-up, use a water hose to clean inside the hose. This should loosen and remove any build-up that may have occurred within the hose itself.
3. To clean the internal parts of your steamer, use of the Jiffy® Liquid Cleaner (10 ounce bottle) is recommended. This acid-based cleaner will remove hard water deposits and sediment build-up. This cleaner is not available for export.
4. Fill your steamer with 1 gallon of water and add the entire ten (10) ounce bottle of Jiffy® Steamer Liquid Cleaner. Turn the steamer to STANDBY and allow water and solution to warm.
5. When the red pilot light goes off, indicating the end of the STANDBY cycle, turn the switch to OFF and unplug the steamer from the wall outlet. Allow the water and cleaning solution to remain in the steamer for 3 hours. **DO NOT STEAM THE SOLUTION IN THE UNIT AS DAMAGE MAY OCCUR.**
6. Pour the cleaning solution out of the steamer. Do this by tipping the steamer over and pouring the solution out of the brass fitting where your hose attachment normally connects.
7. Rinse the unit thoroughly by flushing with fresh water 3 times.
8. If discolored water or residue continues to come from the unit, the above procedure may need to be repeated.
9. Please call 1-731-885-6690 for further instructions or questions.

# Steamer Maintenance

## **Clean and rinse your steamer regularly:**

All steamers need to be cleaned and rinsed on occasion to remove mineral deposits. We recommend our Jiffy® Steamer Liquid Cleaner for cleaning internal parts.

## **Never use additives:**

Additives such as salt, vinegar, bleach, perfumes and dyes should never be added to your steamer water. These substances will corrode or clog internal parts.

## **Never allow your steamer to run dry:**

Running a steamer dry will cause internal damage to the heating element and wiring.

## **Never pour cold water into a hot steamer:**

If by mistake your steamer has run dry of water, allow the unit to cool before adding water. Cold water poured on top of a hot heating element may cause damage to the element.

## **Steam in a vertical, upright position:**

Do not use your steamer in a horizontal position like an iron. Steam in a vertical up and down motion. This will allow the condensation in the hose to flow back into the steamer.

## **Secure your hose nut tightly:**

If your steamer has a hose attachment, use the assembly wrench to ensure the brass nut is fastened tightly to the base of the steamer.

## **Never use an extension cord:**

Extension cords should not be used on this product. Adding an extension cord may create damage to the steamer's power cord and internal wiring.

## **Do not pull steamer by the power cord:**

Pulling the steamer by the power cord may cause damage to the internal wiring.

## **Never use your foot to turn steamer ON/OFF:**

Damage may occur to the power switch should you turn the unit off using excess pressure with your foot.

## **Storing the steamer:**

Before storing the steamer for an extended period (30 days or more), empty all water from the unit. Water becomes stale with time and may clog internal parts.

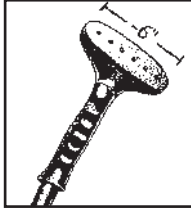
# Steam Head Configurations

## Optional Steam Head Configurations

### Configuration #1

#### Standard Plastic Steam Head

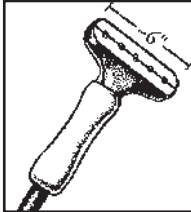
Available on the J-2<sup>®</sup>, J-2000<sup>®</sup>, J-4000<sup>®</sup> and J-4000D<sup>®</sup> Model steamers.



### Configuration #2

#### Metal Steam Head with Wooden Handle

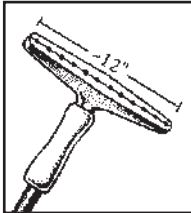
Available on the J-2M<sup>®</sup>, J-2000M<sup>®</sup>, J-4000A<sup>®</sup>, J-4000DM<sup>®</sup> and J-4000M<sup>®</sup> Model steamers.



### Configuration #3

#### Carpet Installation and Wallpaper Removal Steam Head

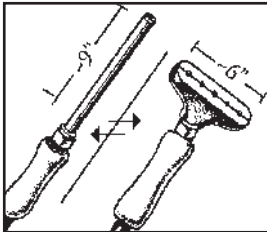
Available on the J-4000C<sup>®</sup> Model steamer.



### Configuration #4

#### Auto/Upholstery Pipe Steam Head & the Interchangeable Metal Steam Head

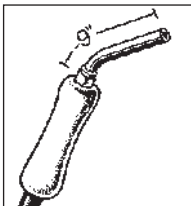
Available on the J-4000A<sup>®</sup> Model steamer.



### Configuration #5

#### Wig Steam Head

Available on the J-2W<sup>®</sup>, J-2000W<sup>®</sup> and J-4000W<sup>®</sup> Model steamers.

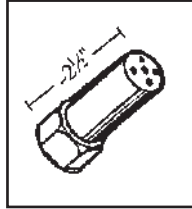


# Steam Head and Plug Configurations

## Configuration #6

### Hat Steam Nozzle

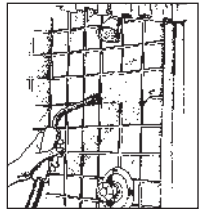
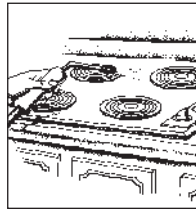
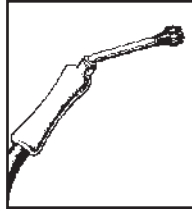
Available on the J-1®, J-2000H®, and J-4000H® Model steamers.



## Configuration #7

### Steam Cleaning Brush Head

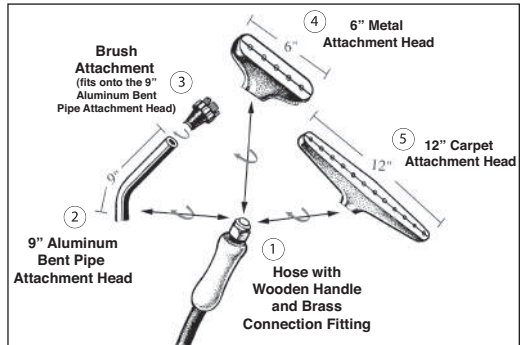
Available on the J-2B®, J-2000B®, and J-4000B® Model steamers.



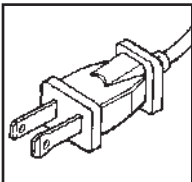
## Configuration #8

### Jiffy® Steamer "I" Kit with Four Interchangeable Steam Head Attachments

5.5' - "I" Hose Available on all J-Series Units.  
7.5' - "I" Hose Only Available on J-4000 Series.

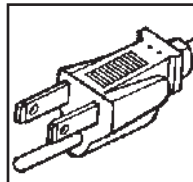


## Jiffy® Steamer World Power Supply Configurations



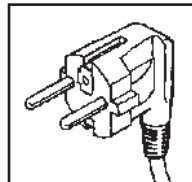
**NEMA 1-15 120V  
PLUG #1**

Not available on the J-4000® Series.

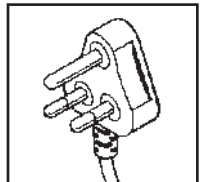


**NEMA 5-15 120V  
or 230V  
PLUG #2**

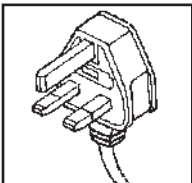
Not available on the ESTEAM® Series.



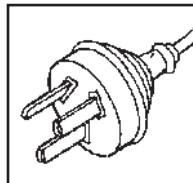
**CEE-7 230V  
PLUG #3**



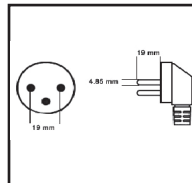
**BS 546 230V  
PLUG #4**



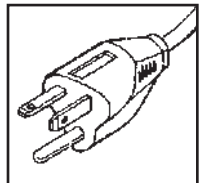
**BS 1363 230V  
PLUG #5**



**ETSA S/86 230V  
PLUG #6**



**SI 32 230V  
PLUG #7**



**620-P 230V  
PLUG #8**



# Accessories

## Travel Case

### ITEM # 0890

Now you can take your Jiffy® Steamer everywhere you go with our innovative Jiffy Steamer Travel Case. This case can be used with any model Jiffy® Steamer and is ideal for transporting your steamer to trade shows, work sites, trunk shows, conferences and conventions. Never be without your Jiffy Steamer again! The Jiffy® Steamer Travel Case is constructed with the finest materials to insure the protection of your steamer. External Dimensions: 27" x 18" x 11"



- Push-button retractable handle with comfort-grip
- Molded protective corners
- Heavy-duty, dual zippers with 1" pull tabs
- Rotating wheels
- Large interior pocket for storing steam head and hose attachment
- Reinforced, interior adjustable straps to secure your Jiffy Steamer

## Professional Garment Hanger

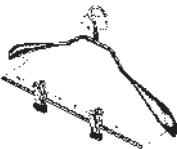
### ITEM # 0897



This unique Professional Garment Hanger design works in concert with your Jiffy® Steamer to prevent unsightly hanger marks and to facilitate the steaming process. They are ideal for retail showrooms, trade shows, traveling sales people, and residences. These high quality hangers will last you a lifetime.

Jiffy® Steamer Professional Garment Hangers are loaded with features including:

- Solid metal chrome construction
- Formed shoulders to prevent hanger marks
- NonSlip, adjustable, coated clips for pants and skirts
- 360 degree swivel hook
- Removable pants bar



## Magik Lint Brush

### ITEM # 1042

Jiffy® Steamer Magik Lint Brush quickly and effectively removes lint, fuzz, dust, dandruff and pet hair from clothing, bedding and upholstery. A comfort-grip handle and double-sided surface ensures longer brush life, twice the pick-up capacity of one-sided brushes, plus convenient left or right hand use. Keep your clothing and upholstery looking their best with this handy brush.



## Linen & Home Spray

Jiffy® Steamer's Linen + Home Spray leaves your clothes and fabrics smelling fresh and clean. To use, simply mist your garments or fabrics prior to steaming, then steam as



normal. The fragrant smell will be released as the wrinkles are removed quickly, easily and safely. Your clothing and linens will remain fresh all day. Preserved with the gentlest ingredients available and will not stain your fine clothing or linens. The spray is available in Lavender and Ocean Breeze. Bottle sizes in 2 ounces, 8 ounces and 16 ounces. Shipping via GROUND service only.

## Professional Lint Roller

### ITEM # 1045

Our Professional Grade Lint Roller features a reusable comfort-grip handle and Super Tac2 Professional Strength Adhesive lint strips. The Zip Strip technology enables quick and easy sheet removal with no waste. The roll is 4 inches wide and 30 feet long. 1 handle and 1 roll per order. 3 part roll refills are available. Great for home, office or travel!



# Accessories

## ESTEAM® Converter & Adapter Plugs

ITEM # 0619

Take your Esteam® worldwide and use it at 100% power. Our converter contains a 25 amp triac semiconductor for stable power output, large aluminum heat-sink to dissipate heat and a UL listed, flame retarding, non-conductive material used in the outer housing. Available for 120 volt units only.



## Steamboard

ITEM # 0893

The Jiffy® Steamboard provides a convenient work space for quickly setting pleats and creases. Ideal for clothing retailers, tailors and home use. Attachments enclosed with the board allow you to hang it over a door or mount it directly to the wall. Not for export. Shipping via GROUND service only.



## Liquid Cleaner

ITEM # 0899

Our unique liquid cleaner removes hard water deposits from your Jiffy® Steamer. Easy to use, and it works on all Jiffy® models. Use only Jiffy® Cleaner as other cleaners may damage internal parts. Not available for export. Shipping via GROUND service only.

# Troubleshooting

## Esteam®

PROBLEM	POSSIBLE CAUSE	SOLUTION
Steamer works poorly or cycles ON and OFF while steaming.	The unit has sediment build-up and needs a thorough cleaning.  Possible thermostat trouble.	Use Jiffy® Liquid Cleaner to clean off element. A small brush may be needed to help scrub unit.  Replace thermostat on unit.
The red indicator light illuminates but the unit never heats or steams.	The fuse wire, heating element or thermostat may be bad.	Replace fusible link wire, heating element or thermostat in unit. This may be done by you, an authorized repair center, or by a Jiffy® Steamer Company technician.
The unit spits water from steam cap.	The unit is being over-filled.  The unit needs to be cleaned out inside tank and cap.  User is tilting unit too far forward or backward during usage.	For best results from your steamer, use Jiffy® Liquid Cleaner periodically to remove sediment deposits from your water (every 3 to 4 months) depending on how much the unit is used.  Do not over-fill unit above max water mark indicated on side of unit.

## J-1 / J-2 / J-2000 Models

PROBLEM	POSSIBLE CAUSE	SOLUTION
Steamer works poorly or cycles ON and OFF while steaming.	The unit has sediment build-up and needs a thorough cleaning.  Possible thermostat trouble.	Jiffy® Liquid Cleaner may solve the problem, but manual cleaning is the best solution at this point. The heating element must be disassembled and cleaned out manually.
The green indicator light does not illuminate when turned to ON position.	The fuse wire is bad. The cordset is bad. Wires may be disconnected. The switch is bad. The unit is not plugged in. The outlet may be defective or inoperable.	Check the unit's current flow and replace defective part.  Try to plug the unit into another outlet.
On units purchased in 1986 and before, the red indicator light illuminates but the unit never heats or steams.	The heating element may be bad.	Replace the heating element. This may be done by you, an authorized repair center, or by a Jiffy® Steamer Company technician.
The steamer spits water from the steam head.	The steam head may be cracked or damaged.  The rod set is not fully assembled (three sections for most models and four sections for drapery steamers).  The unit has sediment build-up and needs to be cleaned.	Replace head once signs of excess wear are apparent.  Make sure the hose is straight and that it has no kinks which may trap condensation in the hose.  Use Jiffy® Liquid Cleaner.
Unit does not produce steam when green indicator light is on.	Check water level to make sure unit is not out of water.  Heating element may be bad.  Wire may be disconnected.	Turn unit off, allow cool down period and refill water container.  Check unit with a voltage meter (if qualified).

# Troubleshooting

## J-4000 Model

PROBLEM	POSSIBLE CAUSE	SOLUTION
The red indicator light remains ON for over 20 minutes, but no steam is produced from the unit at the STEAM setting.	The heating element may be bad. Thermostat may be bad. Check water level.	Replace the heating element and reseat the tank assembly with high temperature silicone. Replace thermostat.
The red indicator light does not illuminate when the switch is turned to the STANDBY or STEAM setting.	The fuse wire is bad. The cordset is bad. Wires may be disconnected. The switch is bad. The unit is not plugged in.	Check the unit's current flow and replace defective part.
The red indicator light works on the STANDBY or STEAM setting, but not on both.	Wires may be disconnected. The switch is bad. The L170 or L220 thermostat is bad.	Wiring needs to be checked by an authorized repair center, or by a Jiffy® Steamer Company technician. Replace switch. Replace thermostat.
The steamer spits water from the steam head.	The steam head has a crack or blemish. Hard water sediment has built up in the head. The unit has been overfilled (4 quarts maximum). The rod set is not fully assembled (three sections for most models and four sections for drapery steamers). The unit has sediment build-up and needs to be cleaned.	Replace head once signs of excess wear are apparent. Never fill the steamer with more than 4 quarts. Make sure the hose is straight and that it has no kinks which may trap condensation in the hose. Use Jiffy® Liquid Cleaner.
The steamer leaks water at the base of the unit.	There may be a hole in the tank (most common with older model units using aluminum tanks).  The brass coupling between the hose and unit may be loose.  The silicone sealant or rubber gasket around the tank assembly is leaking.	The faulty tank must be replaced with a new stainless steel tank. This involves replacing the tank, lid, and housing. This task is best serviced by a Jiffy® Steamer Company technician.  Tighten hose coupling with a wrench.  Reseal the tank and lid with a high heat silicone.

**PLEASE NOTE: Each of these items serve as a simple suggestion when repairing your Jiffy® Steamer. To insure professional service, please send your unit to the plant for authorized personnel to repair the steamer. A user may experience decreased performance at higher altitudes.**

## Questions?

Call 1-800-525-4339 and ask for a technician.

Please have your model and serial numbers available.

Or you may e-mail us at  
info@jiffysteamer.com

# Jiffy® Steamer PRODUCT SPECIFICATIONS



Made in the USA Since 1940 

SPECIFICATIONS	ESTEAM®	J-1®	J-2®	J-2000®	J-4000®
Voltage (120V)	✓	✓	✓	✓	✓
Voltage (230V)	✓	✓	✓	✓	✓
Wattage	600W (120V) 625W (230V)	1300W	1300W	1300W	1500W
Amps (120V)	5	10.83	10.83	10.83	12.5
Amps (230V)	2.71	5.65	5.65	5.65	6.52
Fusible Link Safety Fuse	✓	✓	✓	✓	✓
Power Cord Length	9 feet	7 feet	7 feet	7 feet	7 feet
Multiple Cord Plug Configurations Available	✓	✓	✓	✓	✓
High Temperature Silicone Braided Wiring	✓	✓	✓	✓	✓
Electrical Certifications (Both 120V and 230V)	UL cUL, CE, TUV, NOM, ANCE	UL cUL, CE, TUV, NOM, ANCE	UL cUL, CE, TUV, NOM, ANCE	UL cUL, CE, TUV, NOM, ANCE	UL cUL, CE, TUV, NOM, ANCE
Uses Ordinary Tap Water	✓	✓	✓	✓	✓
Water Capacity	8 ounces	1 gallon	1 gallon	.75 gallons	1 gallon
Water Level Easily Viewed	✓	✓	✓	✓	✓
Pre-Heat Time with Maximum Water	2 minutes	2 minutes	2 minutes	2 minutes	15 minutes
Steam Duration	15 minutes	2 hours	2 hours	1 hour 30 minutes	2 hours
Hose Length	—	—	5.5 feet	5.5 feet	5.5 feet or 7.5 feet
Stainless Steel Boiler Tank	—	—	—	—	✓
Heating Element Type	Die Cast in Aluminum	Die Cast in Brass	Die Cast in Brass	Die Cast in Brass	Incoloy
Die Cast Aluminum Housing	—	✓	✓	—	✓
Hose/Clothing Hanger	—	—	✓	✓	✓
3 Year Limited Warranty	✓	✓	✓	✓	✓
Made in the U.S.A.	✓	✓	✓	✓	✓
Net Weight Assembled	2 pounds	12 pounds	15 pounds	14 pounds	22 pounds
Gross Packaged Weight	3 pounds	14 pounds	17 pounds	17 pounds	26 pounds
Assembled Dimensions (L x W x H)	5.75 x 3.25 x 10.5 inches	13.5 x 7.5 x 13 inches	13.5 x 7.5 x 64.5 inches	15 x 10 x 64 inches	18.5 x 10.5 x 62 inches
Single Carton Dimensions (L x W x H)	11 x 5 x 7 inches	18 x 12 x 17 inches	18 x 12 x 17 inches	18 x 12 x 17 inches	20 x 12 x 14 inches
Attachments Available Legend	Voltage Converter (converts 230 voltage electrical current to 120 voltage)	B, H, M, P, W	B, H, I, M, P, W	B, H, I, M, P, W	A, B, C, D, H, I, M, P, W
<b>A</b> = Auto <b>B</b> = Steam Brush <b>C</b> = Carpet <b>D</b> = Drapery <b>DM</b> = Metal Head Drapery <b>H</b> = Hat <b>I</b> = Interchangeable Steam Head <b>M</b> = Metal Head <b>P</b> = Plastic Head <b>W</b> = Wig					

# Warranty

## 3 YEAR LIMITED PRODUCT WARRANTY

As the global leader of steaming equipment since 1940, we feel that our warranty should properly stand behind every product we craft. The Jiffy® Steamer is precision-built, tested and inspected before leaving our factory in Union City, Tennessee. It is guaranteed against defects in material or workmanship for three (3) years from date of purchase. Cords are excluded. If any part proves to be defective, this product will be repaired free of charge. A nominal handling fee does apply. This warranty shall not apply to any unit which has been subject to misuse, neglect, negligence, accidents or has not had routine cleaning maintenance. Such damage will be reconditioned at our normal repair services rate. Jiffy® Steamer Company, LLC shall not be in any manner responsible for any incidental, special or consequential damages. All implied warranties including but not limited to implied warranties of fitness and merchantability, are limited in duration to three (3) years from date of original purchase. This warranty gives you specific legal rights, and you may have other rights which vary from state to state. Some states do not allow the exclusion limitations on how long an implied warranty lasts, so the above limitations and exclusions may not apply to you. If your Jiffy® Steamer requires service, ship it, with proof of purchase to the address at the bottom of the page.

## Return Policy

Jiffy Steamer strives to manufacture the best steamers in the world. If our products do not meet your needs, you may return them in the original packing materials, along with a copy of the purchase receipt, to the address below. We will issue a 100% merchandise refund if the unit is returned in new condition within 30 days of purchase. If the unit is returned in new condition outside this 30-day window, there will be 10% restocking fee assessed based on the invoice cost. Shipping charges are non-refundable under either of the above circumstances. Jiffy Steamer Company, LLC reserves the right to refuse refunds for discontinued products or steamers more than one (1) year past the date of purchase. This return policy only applies to goods purchased directly from Jiffy Steamer Company, LLC and is independent of other dealer return policies.

When shipping via UPS or FEDEX use:

Jiffy Steamer Company, LLC  
Attn: Warranty / Returns Department  
4462 Ken-Tenn Highway  
Union City, Tennessee 38261

When shipping via US Postal Service use:

Jiffy Steamer Company, LLC  
Attn: Warranty / Returns Department  
P.O. Box 869  
Union City, Tennessee 38281

# Jiffy® Steamer Contact Information

## Contact Us

Jiffy® Steamer Company, LLC looks forward to serving your needs. If you have questions regarding our products, please do not hesitate to contact us.

### Jiffy® Steamer Corporate Headquarters Information:

#### Shipping Address:

4462 Ken-Tenn Highway  
Union City, Tennessee 38261  
United States of America

#### Mailing Address:

P.O. Box 869  
Union City, Tennessee 38281  
United States of America

P: 1-731-885-6690

F: 1-731-885-6692

[info@jiffysteamer.com](mailto:info@jiffysteamer.com)

[jiffysteamer.com](http://jiffysteamer.com)

**If service is required please do not return this appliance to the store where it was purchased.**

For information regarding product service, please call our phone number noted above. Our customer service hours are from 7:30 AM – 4:00 PM, Central Time, Monday through Friday. Please have your model number, serial number, place of purchase, date of purchase and description of the problem available. All products serviced by our factory technicians carry a six (6) month warranty. Thank you and we look forward to serving your needs.

**Thank You**  
for purchasing the original Jiffy® Steamer!



NOTES:

---

---

---

---

---

---

---

---

---

---

---

---

---

---

---

---

---

---

---

---

---

---

---

---

---

---